

TORINO PLATFORM BED

C.KING AND E. KING SIZE

ASSEMBLY INSTRUCTIONS

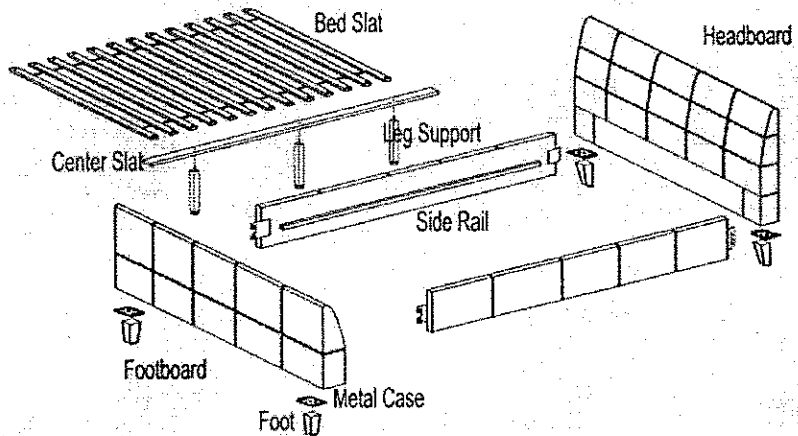


Component Check List

- ~ 1 □ * Headboard
- ~ 1 □ * Footboard
- ~ 2 □ * Side Rail
- ~ 14 * Bed Slat
- ~ 4 * Foot
- ~ 4 * Metal Case

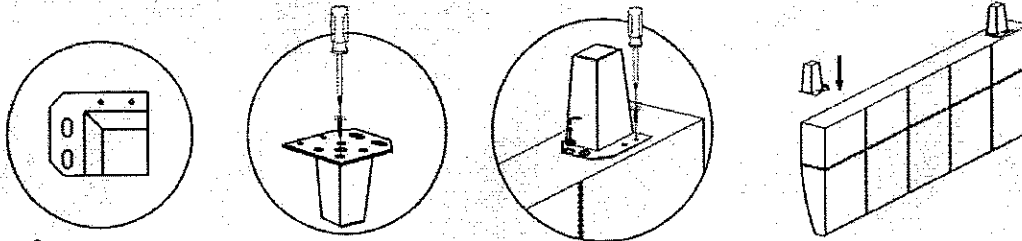
Fitting Check List

- ~ 52 * Wood Screws
- ~ 16 □ * Washers
- ~ 16 □ * Machine Screws
- ~ 2 □ * Allen Key



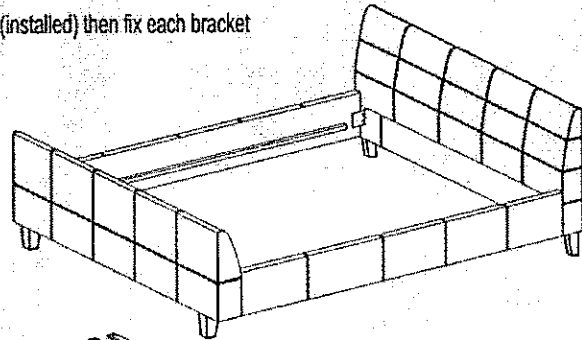
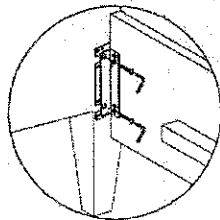
Step 1

Lock the Metal Case onto feet, then fix the feet under the HB&FB.



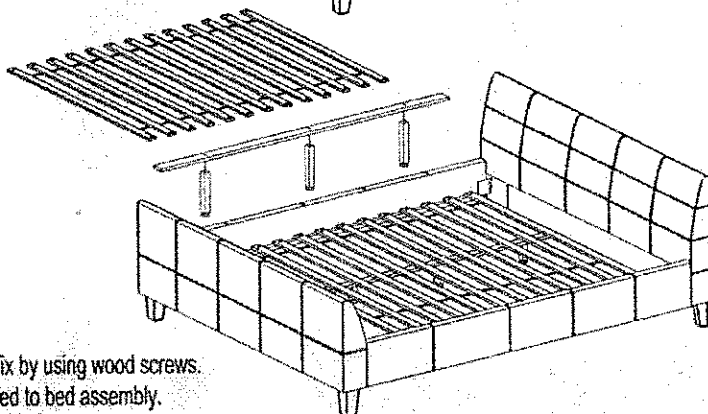
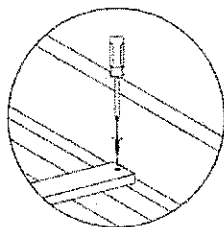
Step 2

Attach each side rail to headboard by hanging the hook bracket (installed) then fix each bracket using machine screws. Repeat with Footboard.



Step 3

Attach all three leg supports to the center Slat.



Step 4

Place all bed slats onto the bed assembly and fix by using wood screws. Make sure each corner of bed slat has been fixed to bed assembly.