

MODUS

TORINO

FULL. QUEEN. CK AND. EK SIZE

ASSEMBLY INSTRUCTIONS

1/2

part

A-1 Headboard

B-1 Footboard

C-2 Side Rails

D-2 Supporting Board

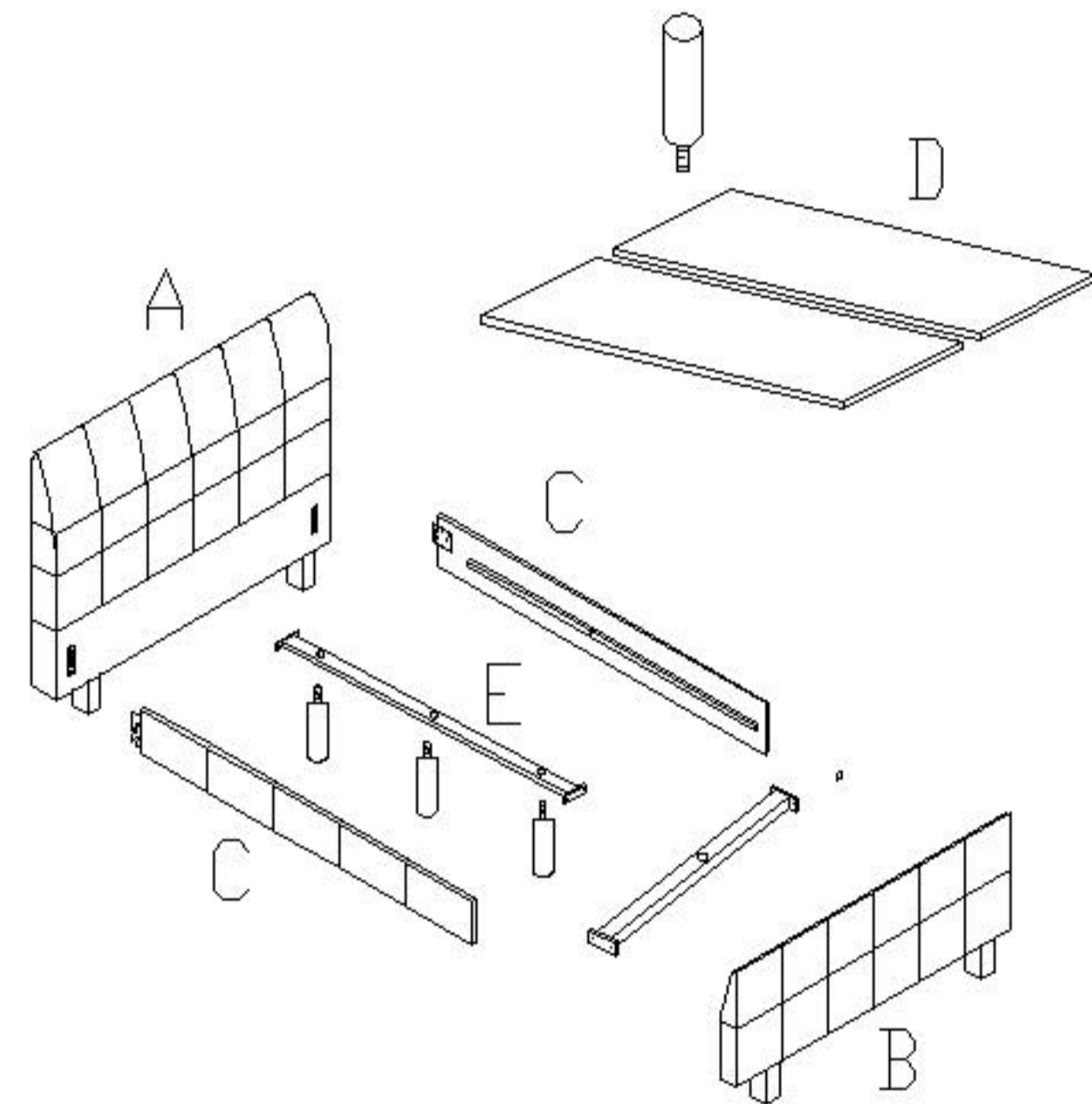
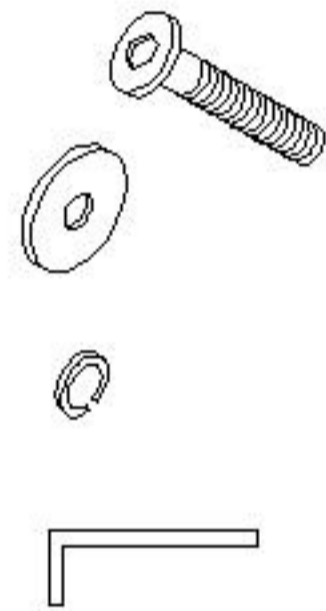
E-3 Leg Support

G-12 bolt screws

H-12 washer

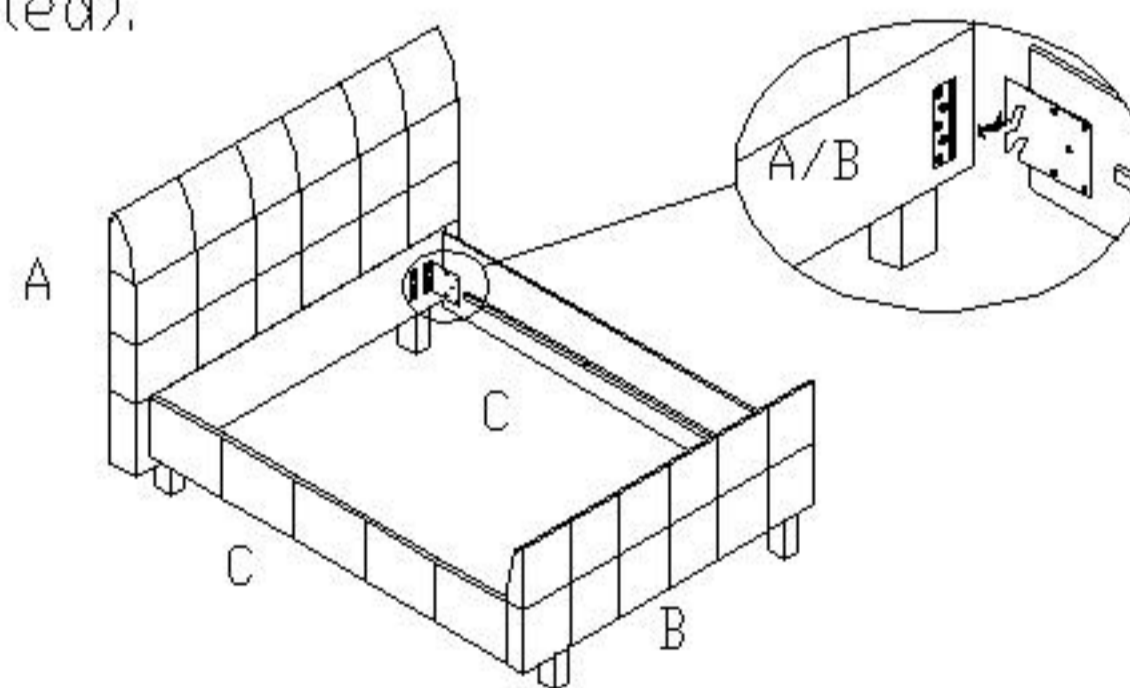
H-12 washer

I-1 Allen key



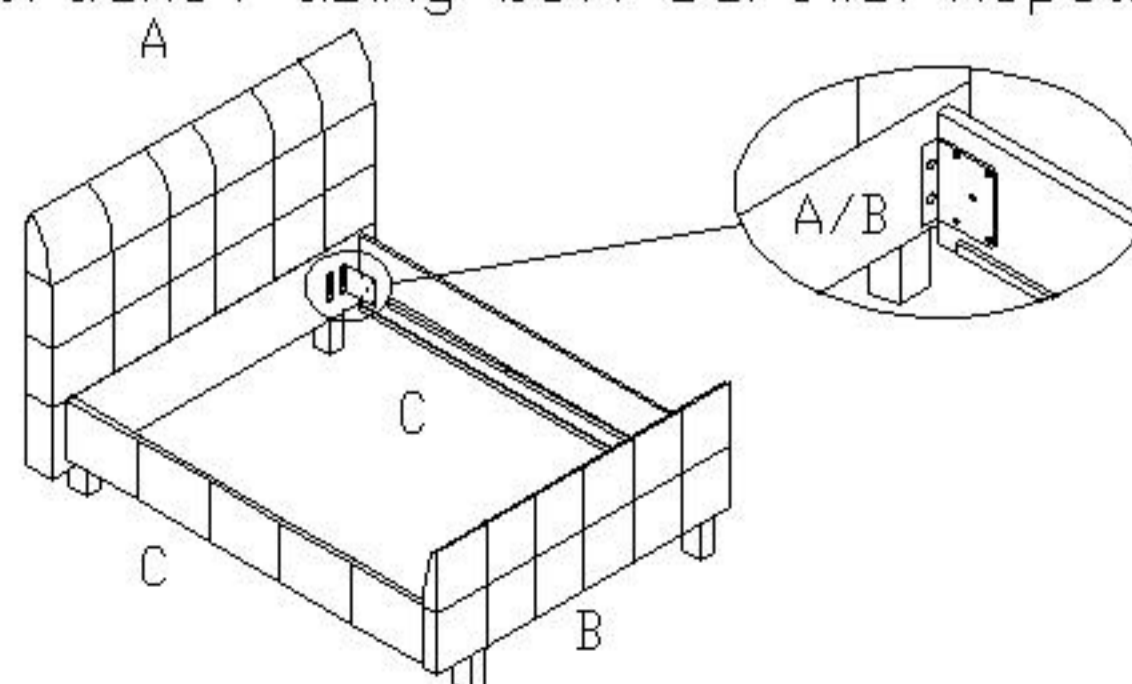
Step 1#

Attach each side rail to headboard and footboard by hanging the hook bracket (installed).



Step 2#

Then fix each bracket using bolt screws. Repeat with Footboard



MODUS

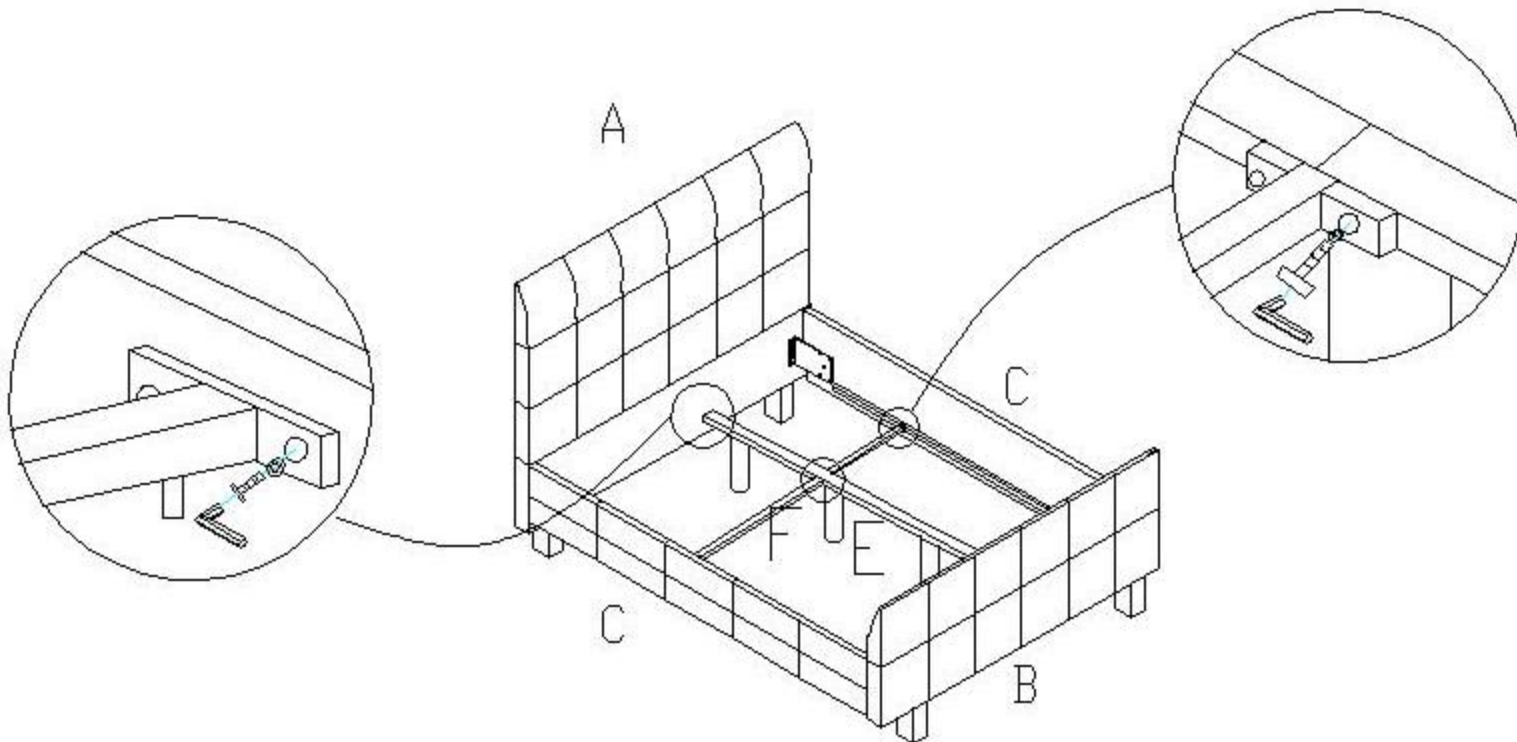
TORINO

FULL. QUEEN. CK AND. EK SIZE

ASSEMBLY INSTRUCTIONS

2/2

Step 3#
Attach a leg support hole of large bed slat.



Step 4
Lay bottom Boards D inside the frame.

