

# TORINO PLATFORM BED

## FULL AND QUEEN SIZE

### ASSEMBLY INSTRUCTIONS

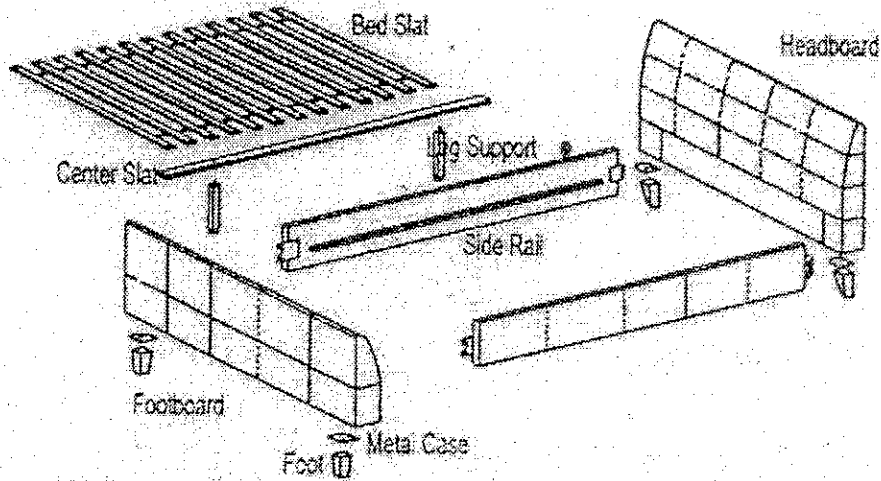


#### Component Check List

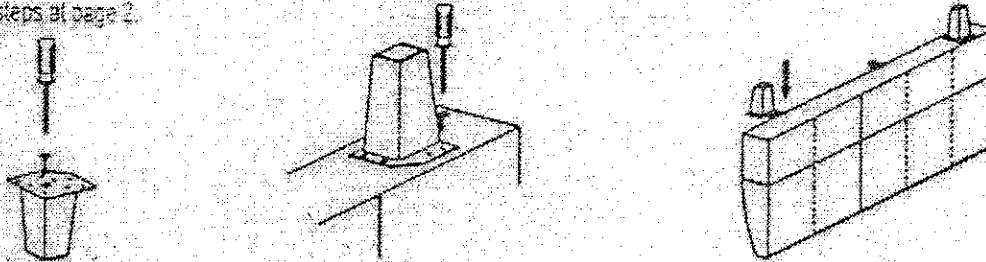
- 1 #Headboard
- 1 #Footboard
- 2 #Side Rail
- 14 #Bed Slat
- 4 #Foot
- 4 #Metal Case

#### Fitting Check List

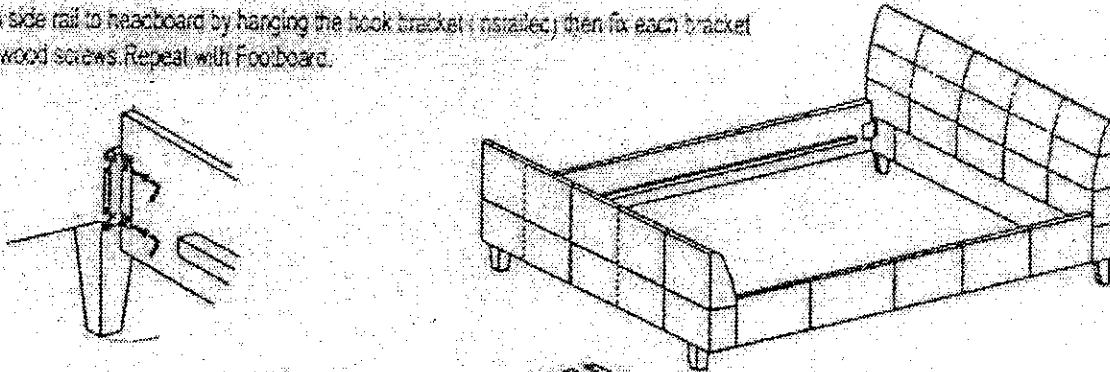
- 28 #Wood Screws
- 8 #Washers
- 8 #Machine Screws
- 1 #Allen Key



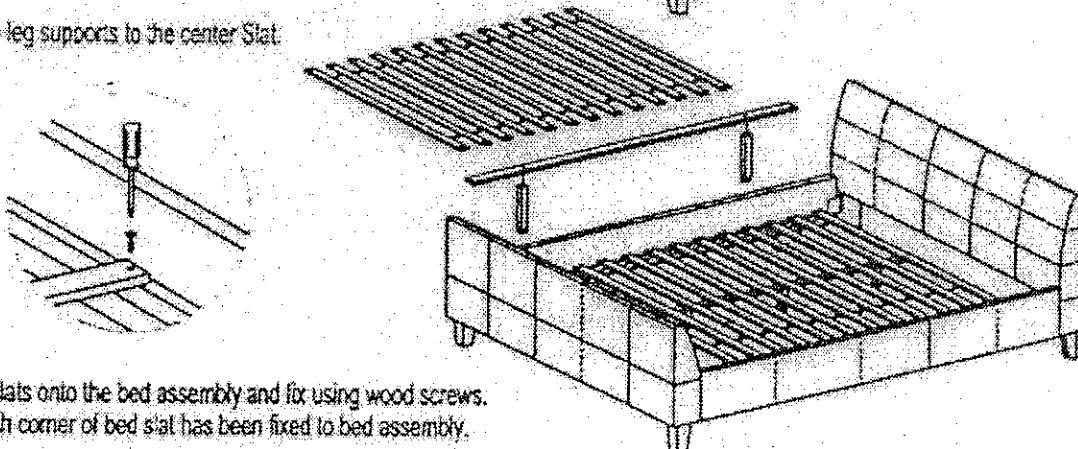
**Step 1**  
 Lock the Metal Case onto feet, then fix the feet under the HB&FB. Inset the foot 2-1/2" from the edge of the HB. &FB.  
 Please see detail steps at page 2.



**Step 2**  
 Attach each side rail to headboard by hanging the hook bracket (on rail), then fix each bracket using short wood screws. Repeat with Footboard.



**Step 3**  
 Attach all two leg supports to the center Slat.



**Step 4**  
 Place all bed slats onto the bed assembly and fix using wood screws. Make sure each corner of bed slat has been fixed to bed assembly.

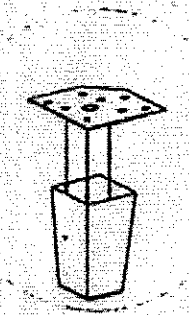
# TORINO PLATFORM BED

ALL SIZE

## ASSEMBLY INSTRUCTIONS

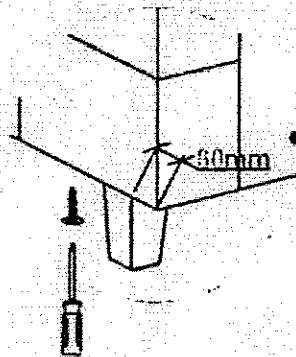


### Foot Assembly Instruction



The metal plate put on the foot while sure two rectangular side of plate match with the two rectangular side of foot.

The four holes are tapped into the HB or FB.



The distance from the plate to the edge of HB or FB is about 2".

