

TRIBECCA BED

KING SIZE

ASSEMBLY INSTRUCTIONS

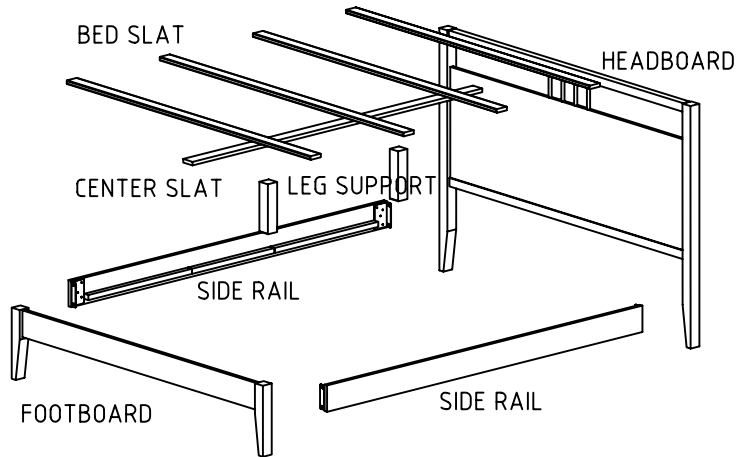


WARNING !!!

WE RECOMMEND TO HAVE ANOTHER PERSON TO EASE ASSEMBLY PROCEDURE

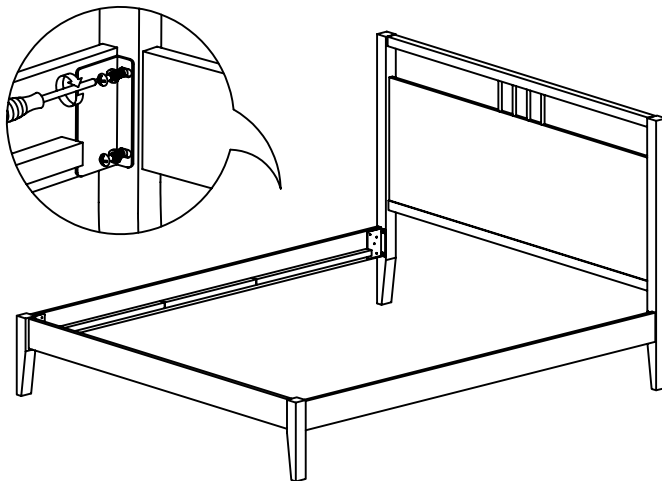
HARDWARE LIST :

- >PHILLIPS HEAD WOOD SCREW 12 PCS
- >PHILLIPS HEAD BOLT 8 PCS
- >WASHER 8 PCS
- >ALLEN KEY 1 PC
- >ALLEN BOLT 4 PCS



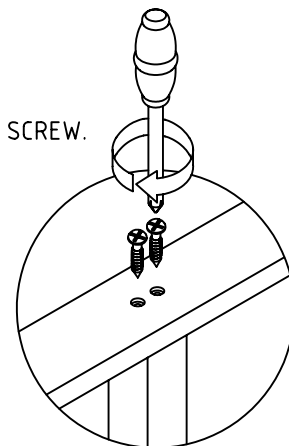
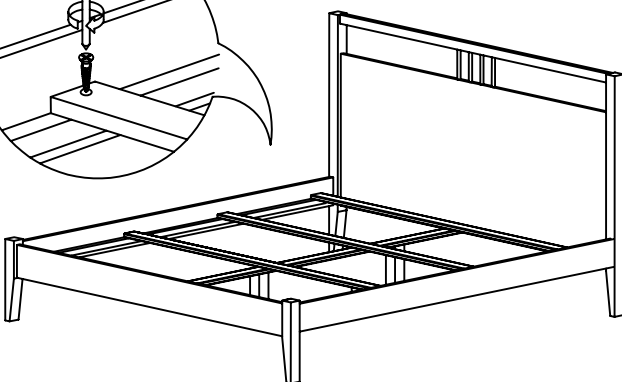
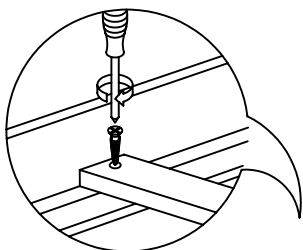
STEP #1

FIXED THE TWO SIDE RAILS TO HEADBOARD USING TWO WASHERS AND TWO PHILLIPS HEAD BOLTS PER RAIL THEN TIGHTEN PHILLIPS HEAD BOLTS WITH PHILLIPS SCREWDRIVER REPEAT WITH FOOTBOARD

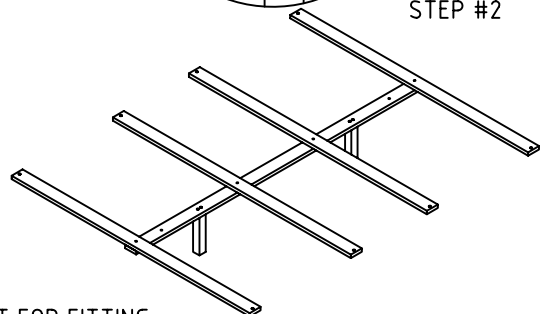


STEP #2

LAYOUT THE FOUR BED SLATS ON THE FLOOR AND FIXED CENTER SLAT USING THE FOUR ALLEN BOLTS AND SUPPLIED WITH ALLEN KEY. ATTACH THE LEG SUPPORT TO CENTER SLAT USING 4 PIECES PHILLIPS HEAD WOOD SCREW. MAKE SURE THE 'T-NUT' IN CENTER SLAT IS FACING THE FLOOR.



STEP #2



STEP #3

PLACE FOUR SLATS INTO BED ASSEMBLY AND DRILLING 8 PCS PHILLIPS HEAD WOOD SCREWS INTO EVERY OTHER SLAT FOR FITTING