

TRIBECCA BED

TWIN AND FULL SIZE

ASSEMBLY INSTRUCTIONS

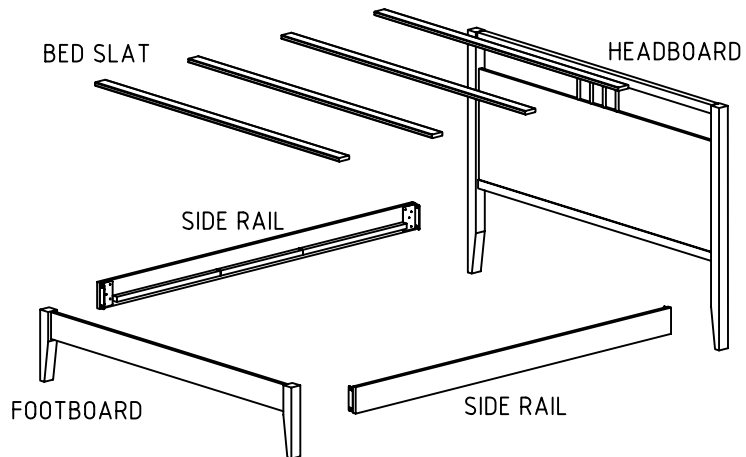


WARNING !!!

WE RECOMMEND TO HAVE ANOTHER PERSON TO EASE ASSEMBLY PROCEDURE

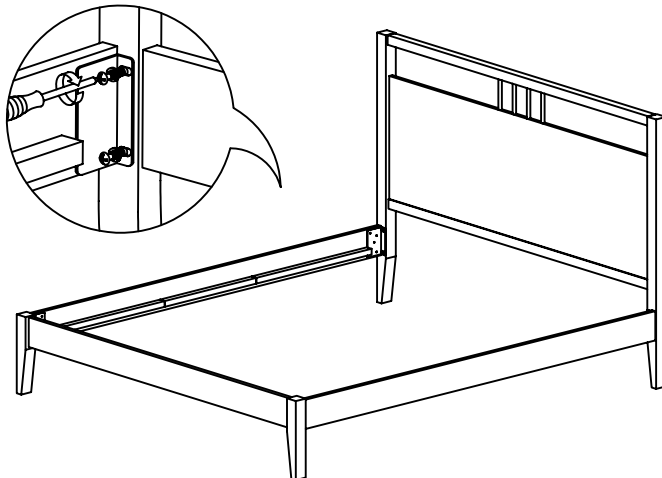
HARDWARE LIST :

- >PHILLIPS HEAD WOOD SCREW 8 PCS
- >PHILLIPS HEAD BOLT 8 PCS
- >WHASHER 8 PCS



STEP #1

FIXED THE TWO SIDE RAILS TO HEADBOARD USING TWO WASHERS AND TWO PHILLIPS HEAD BOLTS PER RAIL THEN TIGHTEN PHILLIPS HEAD BOLTS WITH PHILLIPS SCREWDRIVER REPEAT WITH FOOTBOARD



STEP #2

PLACE FOUR SLATS INTO BED ASSEMBLY AND DRILLING 8 PCS PHILLIPS HEAD WOOD SCREWS INTO EVERY OTHER SLAT FOR FITTING

