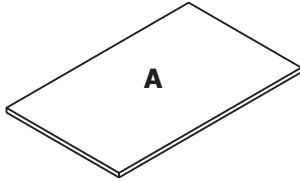


TOP TABLE REPLACEMENT ASSEMBLY INSTRUCTIONS



PART LIST

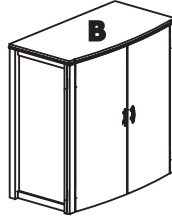
A. TOP TABLE 1 PC



B. FULL ASSEMBLY 1 PC



TYPE 1
(DRAWER ON TOP)



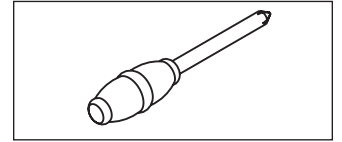
TYPE 2
(DOOR)



TYPE 3
(OPEN TOP)

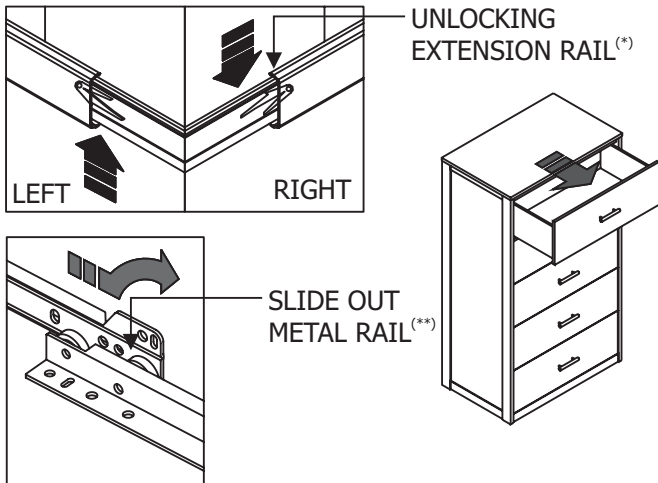
TOOL REQUIRED :

PHILLIPS HEAD SCREW
DRIVER (NOT PROVIDED)



STEP 1 :

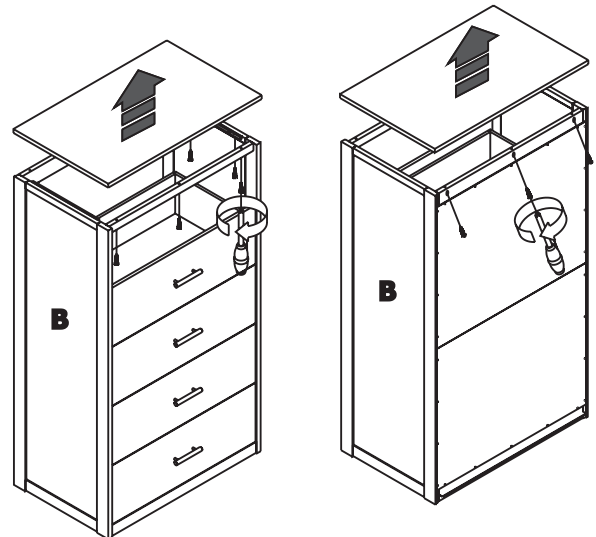
IF YOU BUY **TYPE 1** REMOVE DRAWER BOX ASSEMBLY FROM THE UNIT (**B**) BY UNLOCKING EXTENSION RAIL^(*) OR SLIDE OUT METAL RAIL^(**).



IF YOU BUY **TYPE 2**, OPEN THE DOOR OF THE UNIT (**B**).
IF YOU BUY **TYPE 3**, FOLLOW THE NEXT STEP.

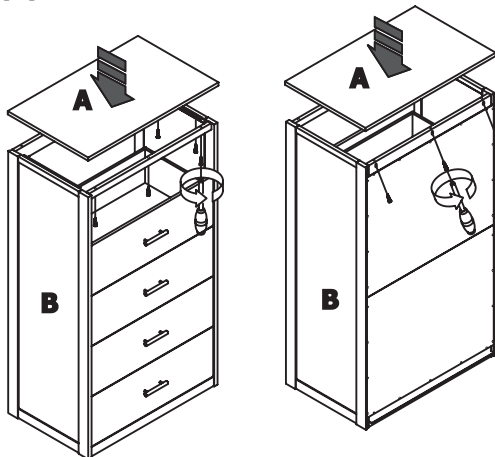
STEP 2 :

DETACH OLD TOP TABLE BY UNSCREWING SCREW WHICH JOIN TOP TABLE WITH THE UNIT USING PHILLIPS HEAD SCREW DRIVER.



STEP 3 :

ATTACH NEW TOP TABLE (**A**) TO THE UNIT (**B**) WITH SCREW. MAKE SURE YOU PLACE TOP TABLE (**A**) IN THE CENTER POSITION AND BACK SIDE OF TOP TABLE (**A**) ALIGN WITH BACK PANEL.



IF YOU BUY **TYPE 2&3**, YOU ARE COMPLETE INSTALLATION.
IF YOU BUY **TYPE 1**, FOLLOW THE NEXT STEP.

STEP 4 :

INSERT DRAWER BOX ASSEMBLY TO THE UNIT TO COMPLETE INSTALLATION.

