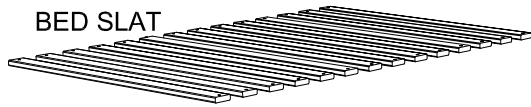


MONTEREY

TWIN SIZE

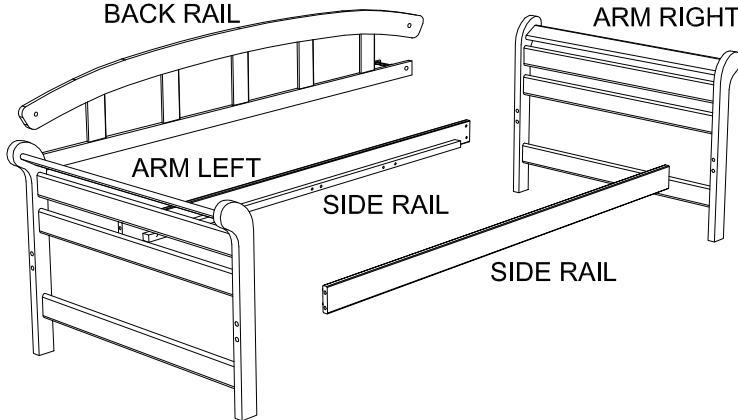
ASSEMBLY INSTRUCTIONS

BED SLAT



BACK RAIL

ARM RIGHT



ARM LEFT

SIDE RAIL

SIDE RAIL

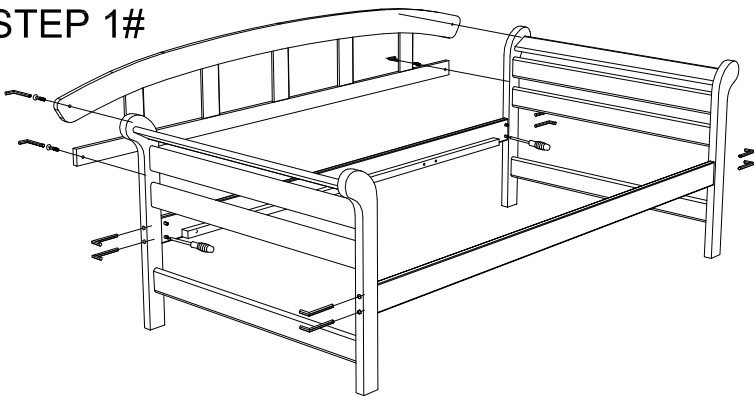
HARDWARES:

- A. 8 PCS 100 MM ALLEN BOLTS
- B. 4 PCS 40 MM ALLEN BOLTS
- C. 8 PCS BARREL NUTS
- D. 14 PCS WOOD SCREWS
- E. 1 PC ALLEN WRENCH

NOTES:

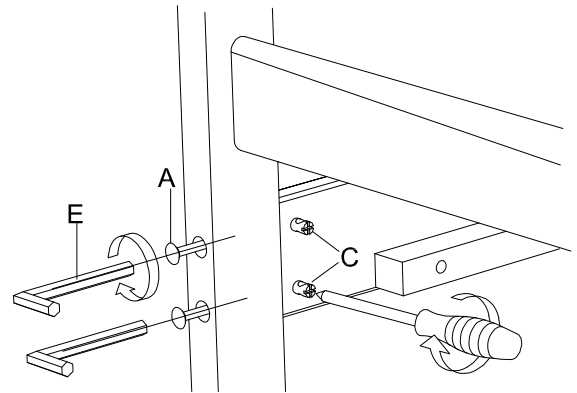
1. FOR EASY OF ASSEMBLY YOU WILL NEED A HELPER.
2. DO NOT COMPLETELY TIGHTEN BOLTS UNTIL BOTH THE MATTRESS SUPPORT SYSTEM AND THE BACK HAVE BEEN ASSEMBLED TO THE ARMS.
3. AFTER ASSEMBLY, PERIODICALLY RETIGHTEN ALL BOLTS.

STEP 1#

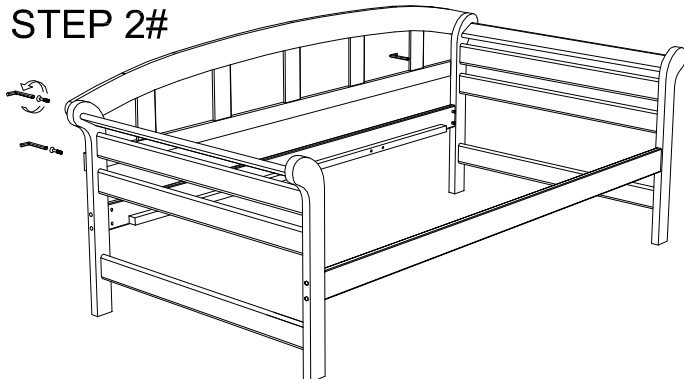


STEP 1#

ATTACH 2 SIDE RAILS TO ONE DAY BED ARM USING 4 PCS 100 MM ALLEN BOLTS (A) AND 4 PCS BARREL NUTS (C). MAKE SURE THE "X" PATTERN ON BARREL NUTS FACES OUT. REPEAT STEP 1 FOR SECOND DAY BED ARM.

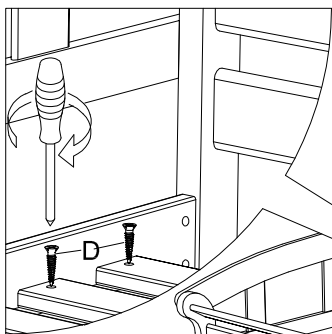


STEP 2#

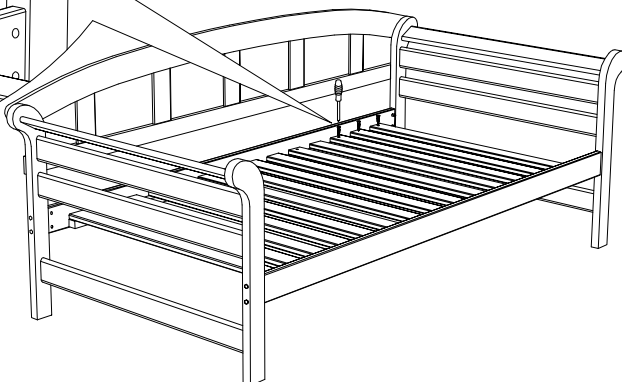


STEP 2#

BOLT ONE END OF THE DAY BED BACK TO ONE THROUGH THE BACK RAIL AND IN TO THE PCS BARREL NUTS (C). MAKE SURE THE "X" THREADED INSERT IN THE BACK POST. REPEAT STEP 2 FOR SECOND END OF DAY BED BACK.



STEP 3#



STEP 3#

PLACE SLAT ASSEMBLY ONE DAY BED ASSEMBLY. MAKE SURE THAT NYLON STRAPS FACE FIX USING 14 PCS PHILLIPS HEAD WOOD SCREWS INTO EVERY OTHER SLAT FOR FITTING

