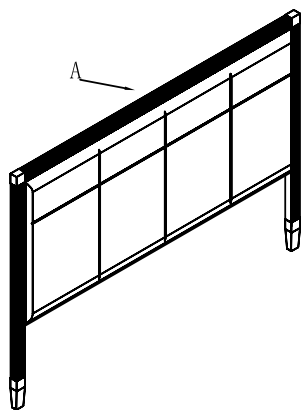




ASSEMBLY INSTRUCTION

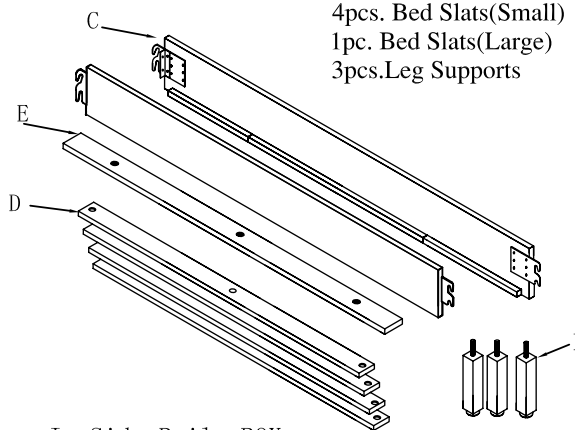
MONDRIAN PANEL BED (E. KING/C. KING SIZE)

HEADBOARD BOX 1PC . Headboard



SIDE RAILS BOX

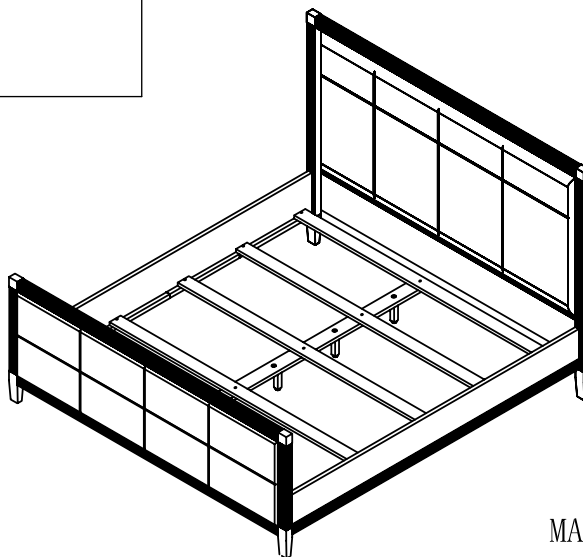
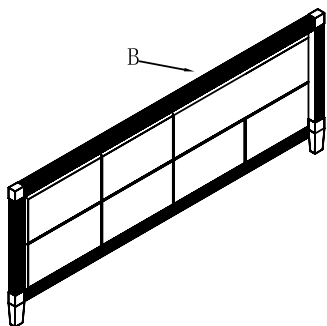
- 2pcs. Side Rails
- 4pcs. Bed Slats(Small)
- 1pc. Bed Slats(Large)
- 3pcs. Leg Supports



In Side Rails BOX

G	12pcs. Wood screws $\text{Ø}8 \times 1''$	
H	8pcs. Machine screws $\text{Ø} \frac{5}{16}''$	
I	8pcs. Flat washer $\text{Ø} \frac{5}{16}''$	
J	1pc. Wrench $\text{Ø} \frac{5}{16}''$	
K	8pcs. Spring washer $\text{Ø} \frac{5}{16}''$	

FOOTBOARD BOX 1PC .Footboard



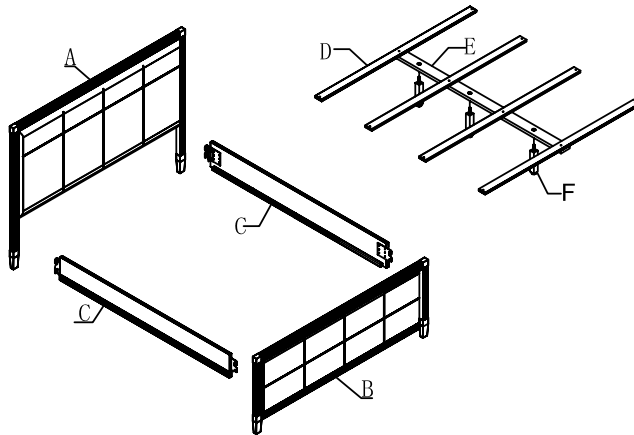
MADE IN CHINA



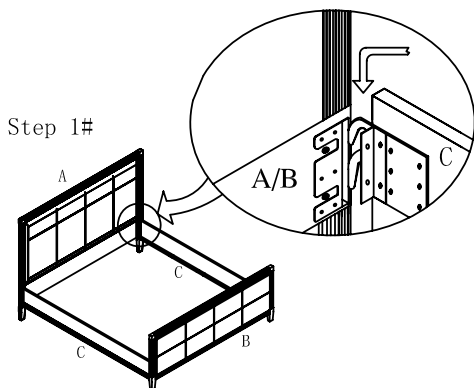
MODUS
FUTNITURE
INTERNATIONAL

ASSEMBLY INSTRUCTION

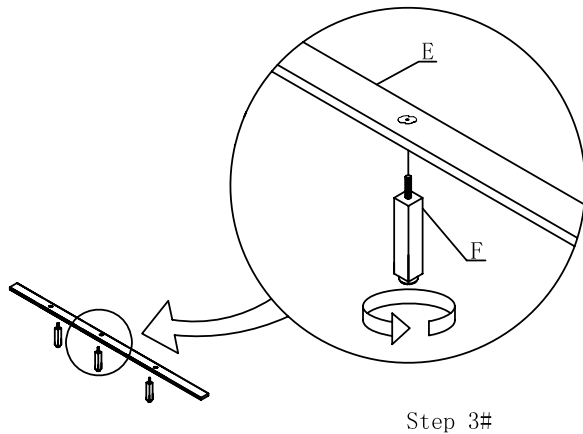
MONDRIAN PANEL BED (E. KING/C. KING SIZE)



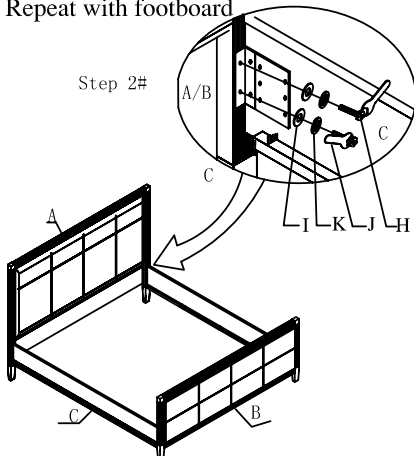
Step 1#
Attach each side rail to headboard and footboard by hanging the hook bracket (installed) .



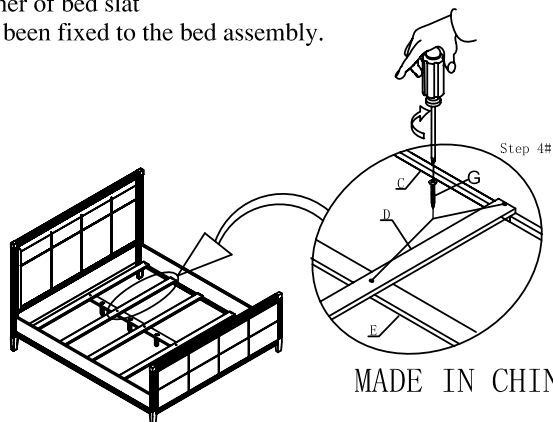
Step 3#
Attach a leg support to hole of large bed slat .



Step 2#
Then fix each bracket using machine screws .
Repeat with footboard



Step 4#
Place four small bed slats onto the large bed side rails and large bed slats
assembly and fix using wood screws . Make sure each
corner of bed slat
has been fixed to the bed assembly.



MADE IN CHINA

由 Autodesk 教育版产品制作

由 Autodesk 教育版产品制作