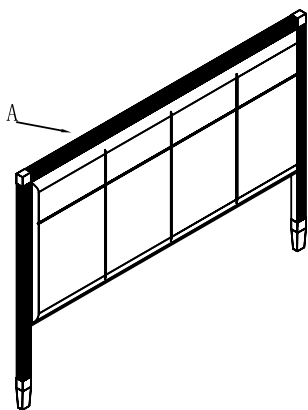


ASSEMBLY INSTRUCTION

MONDRIAN PANEL BED (FULL/QUEEN SIZE)

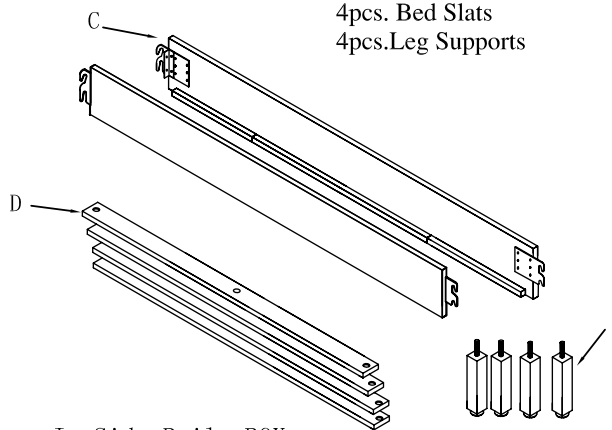
HEADBOARD BOX

1PC . Headboard



SIDE RAILS BOX

2pcs. Side Rails
4pcs. Bed Slats
4pcs. Leg Supports

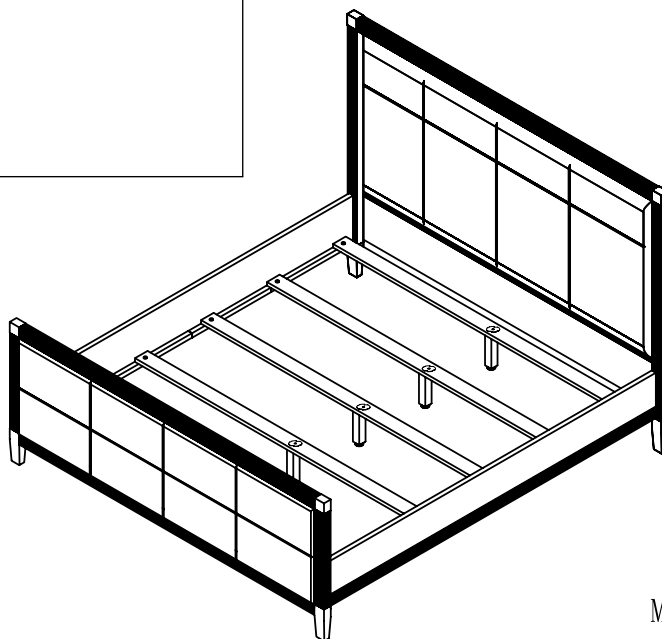
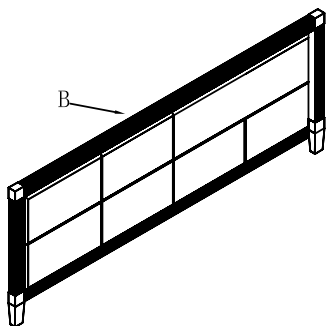


In Side Rails BOX

| | | |
|---|---|--|
| G | 8pcs. Wood screws $\text{Ø}8 \times 1''$ | |
| H | 8pcs. Machine screws $\text{Ø}\frac{5}{16}''$ | |
| I | 8pcs. Flat washer $\text{Ø}\frac{5}{16}''$ | |
| J | 1pc. Wrench $\text{Ø}\frac{5}{16}''$ | |
| K | 8pcs. Spring washer $\text{Ø}\frac{5}{16}''$ | |

FOOTBOARD BOX

1PC . Footboard



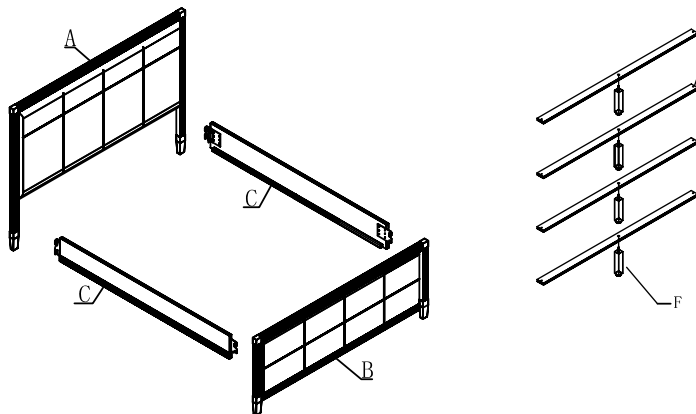
MADE IN CHINA



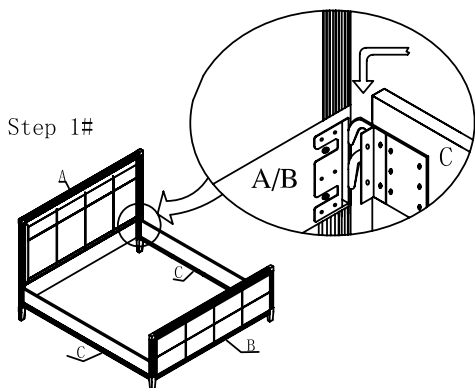
MODUS
FUTNITURE
INTERNATIONAL

ASSEMBLY INSTRUCTION

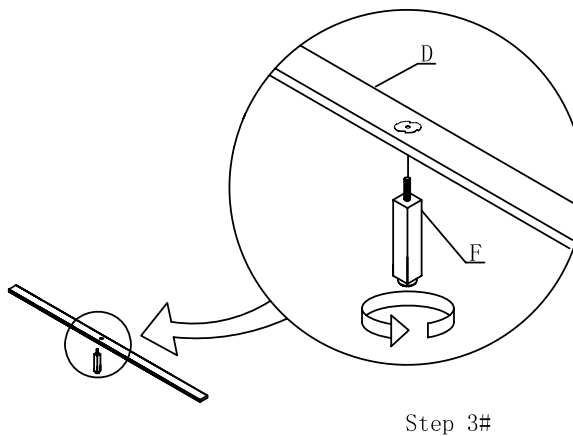
MONDRIAN PANEL BED (FULL/QUEEN SIZE)



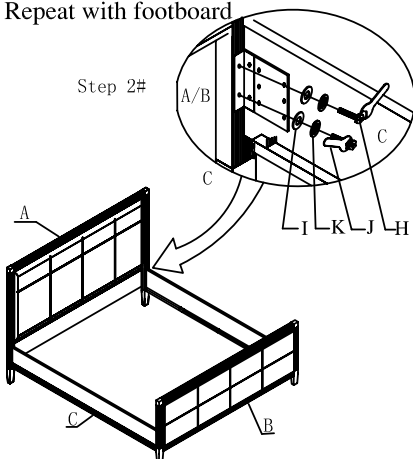
Step 1#
Attach each side rail to headboard and footboard by hanging the hook bracket (installed) .



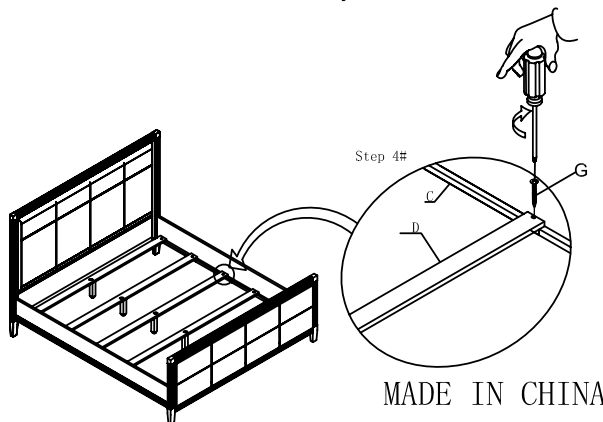
Step 3#
Attach a leg support to hole of bed slat .



Step 2#
Then fix each bracket using machine screws .
Repeat with footboard



Step 4#
Place four bed slats onto bed side rails, Assembly and fix using wood screws . Make sure each corner of bed slat has been fixed to the bed assembly .



MADE IN CHINA

由 Autodesk 教育版产品制作

由 Autodesk 教育版产品制作