



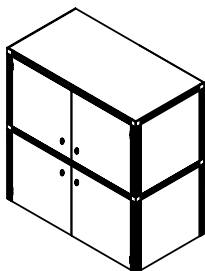
MODUS  
FUTNITURE  
INTERNATIONAL

ASSEMBLY INSTRUCTION

MONDRIAN ARMOIRE HUTCH AND BASE

BASE

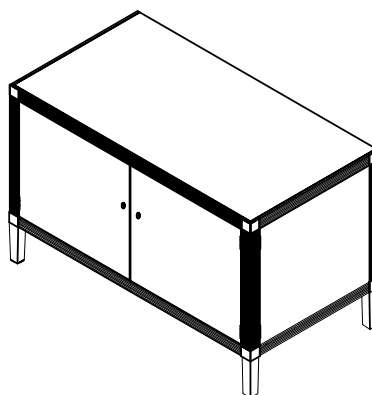
TOP BOX



IPC. TOP

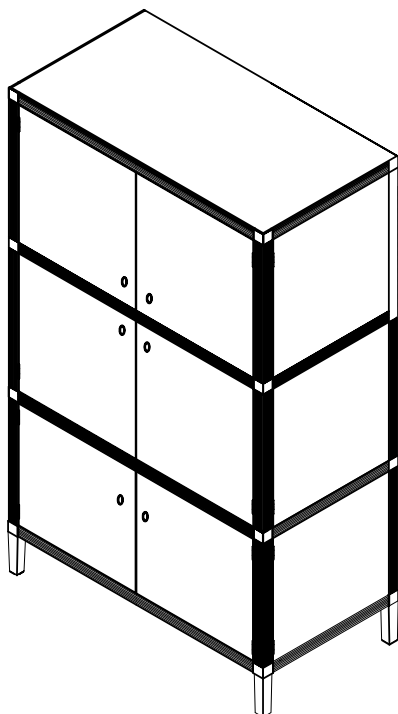
| IN TOP BOX |   | HARDWARE LIST |       |
|------------|---|---------------|-------|
| B          | Shelf Support pin                               |               | 8PCS  |
| C          | Bolt $\varnothing\frac{1}{4} \times 1"$         |               | 4 PCS |
| D          | Springwasher $\varnothing\frac{1}{2} \times 19$ |               | 4 PCS |
| E          | Flat Washer $\varnothing\frac{1}{2} \times 19$  |               | 4 PCS |
| F          | Wrench $\varnothing\frac{1}{2}$                 |               | 1 PCS |
| G          | Ferror layer                                    |               | 2 PCS |
| H          | Shelf   |               | 2 PCS |
| I          | Partition Panel                                 |               | 1 PCS |
| J          | Bracket   |               | 2 PCS |

BASE BOX



IPC. BASE

| IN BASE BOX |                   | HARDWARE LIST |       |
|-------------|-------------------|---------------|-------|
| A           | Shelf Shelf       |               | 1 PCS |
| B           | Shelf Support pin |               | 4PCS  |



MADE IN CHINA

由 Autodesk 教育版产品制作

由 Autodesk 教育版产品制作

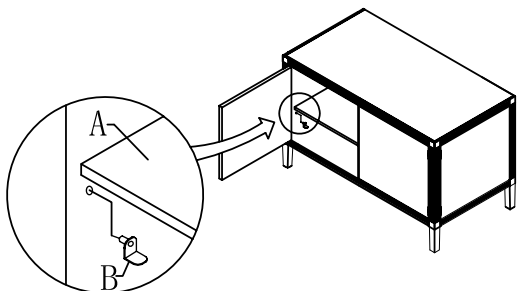


MODUS  
FUTNITURE  
INTERNATIONAL

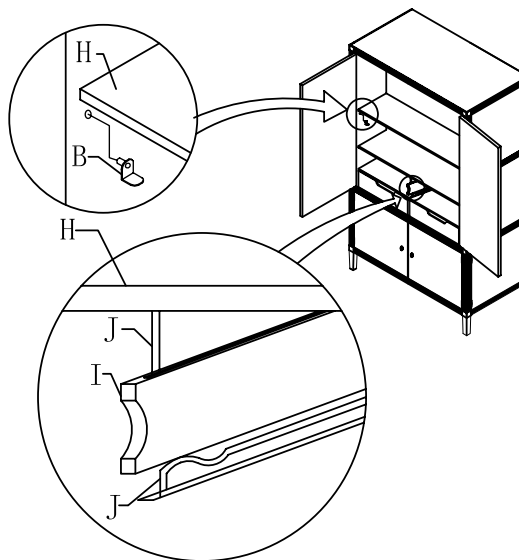
# ASSEMBLY INSTRUCTION

## MONDRIAN ARMOIRE HUTCH AND BASE

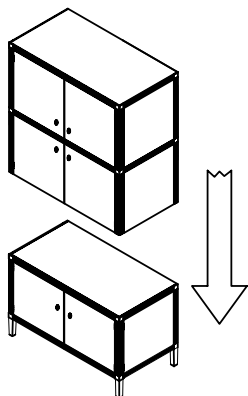
Step 1: Insert the shelf latch to the armoire top and attach the adjustable shelf to the shelf latch .



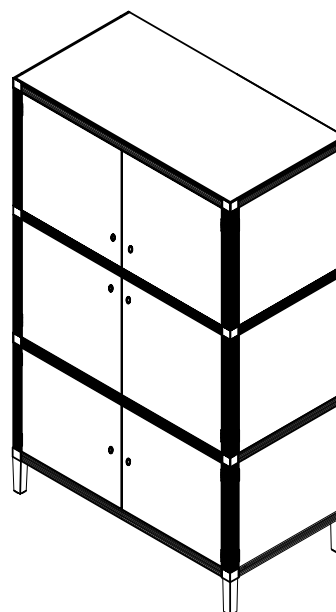
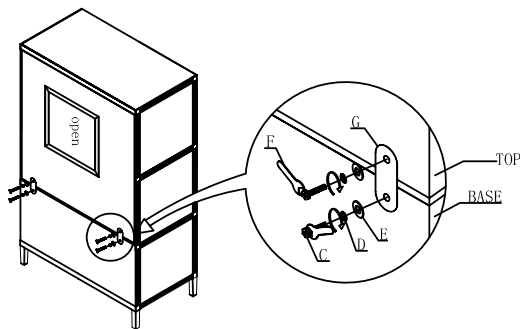
Step 5: Insert the shelf latch to the armoire top and attach the adjustable shelf to the shelf latch .



Step 2  
Place the armoire upper on the armoire base .



Step 3  
Securing armoire upper and base using ferron layer and screws .



MADE IN CHINA

由 Autodesk 教育版产品制作

由 Autodesk 教育版产品制作