



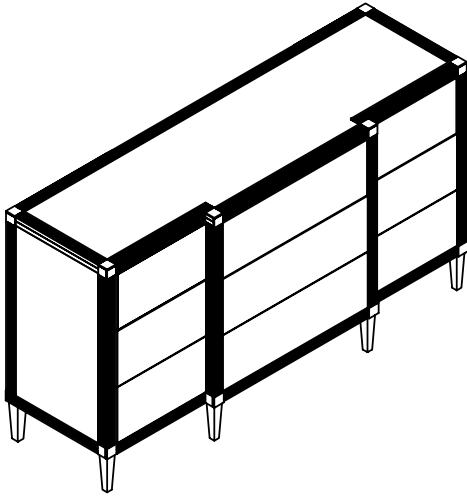
MODUS  
FUTNITURE  
INTERNATIONAL

# ASSEMBLY INSTRUCTION

MONDRIAN 9 DRAWER DRESSER AND MIRROR

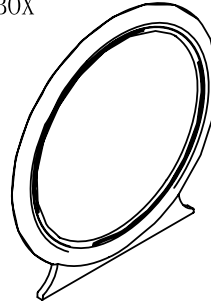
DRESSER BOX

1PC. DRESSER



Hardware and supports in mirror box

MIRROR BOX



1PC. Mirror

2pcs Supports

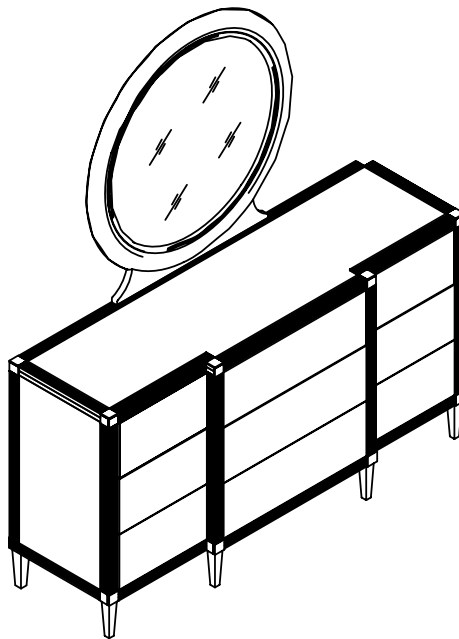


In Mirror Box

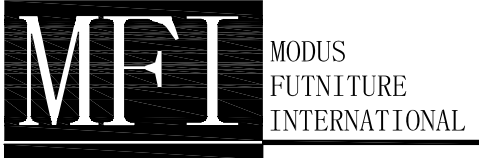
|   |  |  |      |
|---|--|--|------|
| A |  | Bolt ( $\phi_{\frac{1}{4}} * 1\frac{1}{2}$ ) | 8pcs |
| B |  | Washer( $\phi_{\frac{1}{4}}$ )               | 8pcs |
| C |  | Washer( $\phi_{\frac{1}{4}}$ )               | 8pcs |
| D |  | Allen Wrench ( $\phi_{\frac{1}{4}}$ )        | 1pc  |

由 Autodesk 教育版产品制作

由 Autodesk 教育版产品制作



MADE IN CHINA



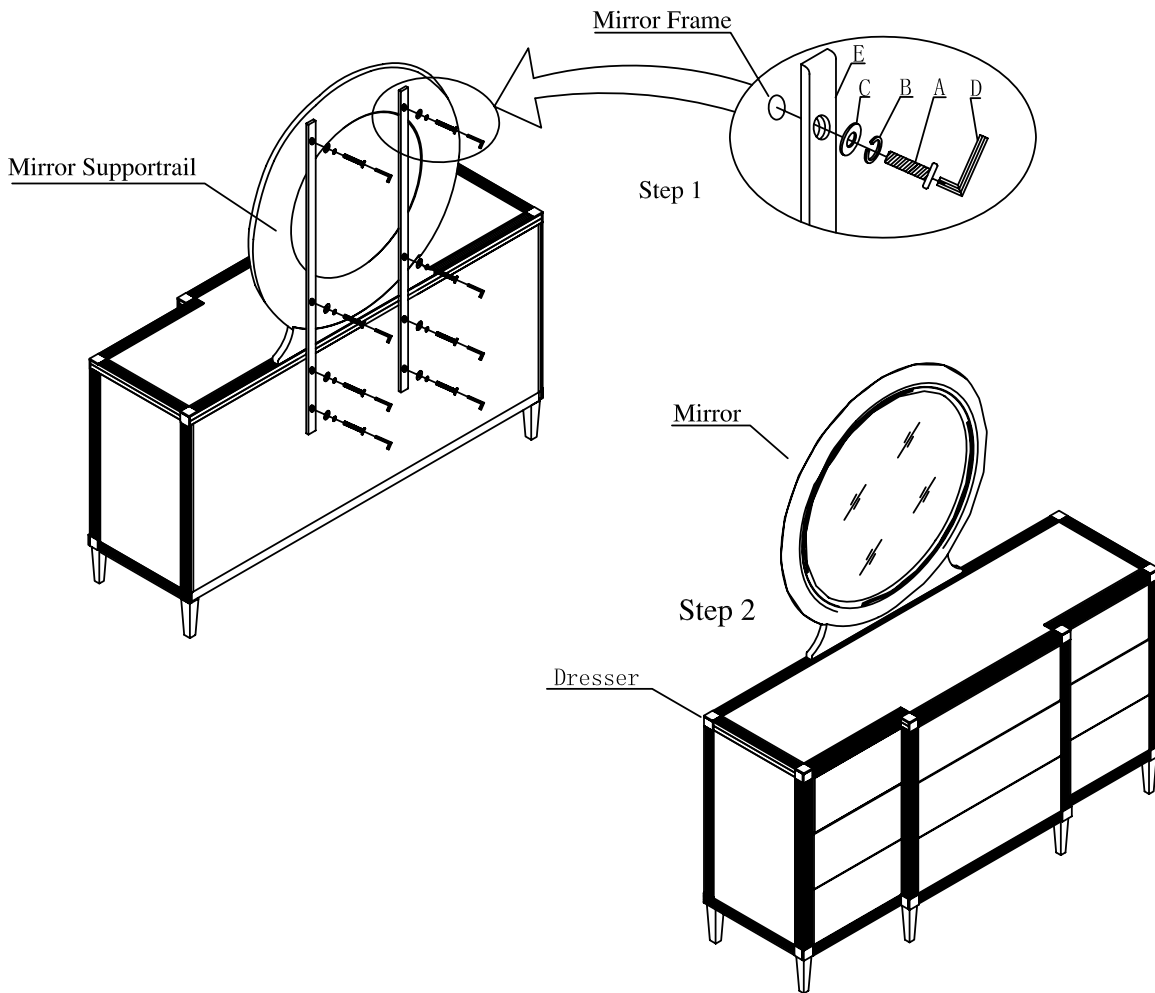
# ASSEMBLY INSTRUCTION

## MONDRIAN 9 DRAWER DRESSER AND MIRROR

Thank you for purchasing this quality products. Be sure to check all packing materials carefully for small parts that may have come loose inside the carton during shipment .

Step 1. Attach mirror support rails (E) to mirror frame using bolt (A) with spring washer (B) flat washers (C) by using allen key (D) (as shown in diagram) do not over tighten these bolts at this step .

Step 2. Place the mirror on the dresser in the desired position fasten the mirror supports to the dresser using bolt (A) with spring washers (B) flat washer (C) Please tighten bolts (D) please tighten all bolts .



MADE IN CHINA