

MONDOCO PLATFORM

MFI MODUS
FURNITURE
INTERNATIONAL

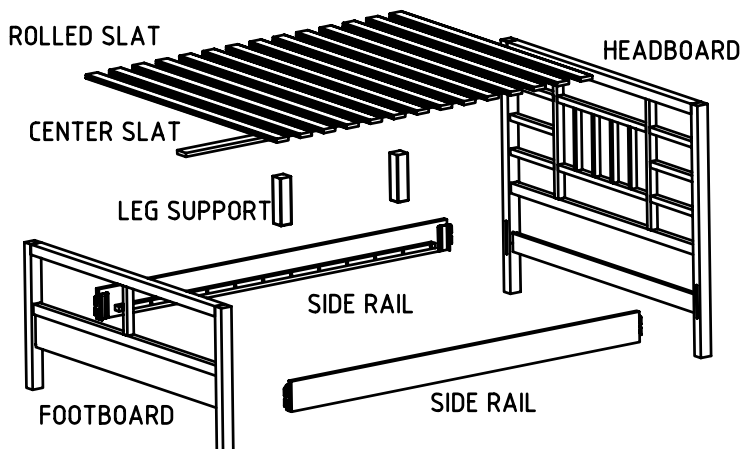
ASSEMBLY INSTRUCTIONS

WARNING !!!

WE RECOMMEND TO HAVE ANOTHER PERSON TO EASE ASSEMBLY PROCEDURE

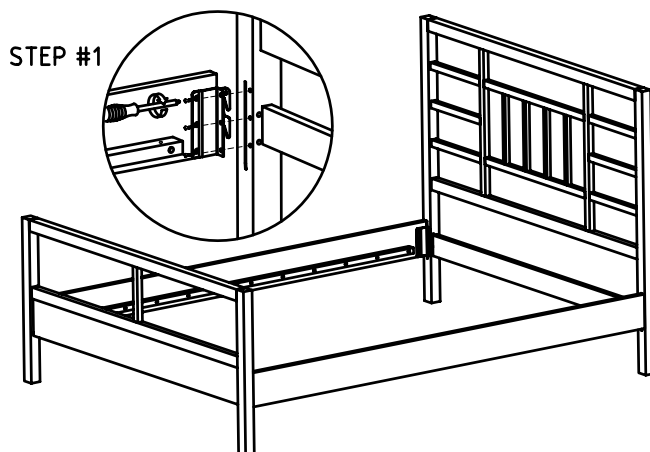
HARDWARE LIST :

- >LONG WOOD SCREW 18 PCS
- >SHORT WOOD SCREW 12 PCS
- >ALLEN KEY 1 PC
- >ALLEN BOLT 6 PCS



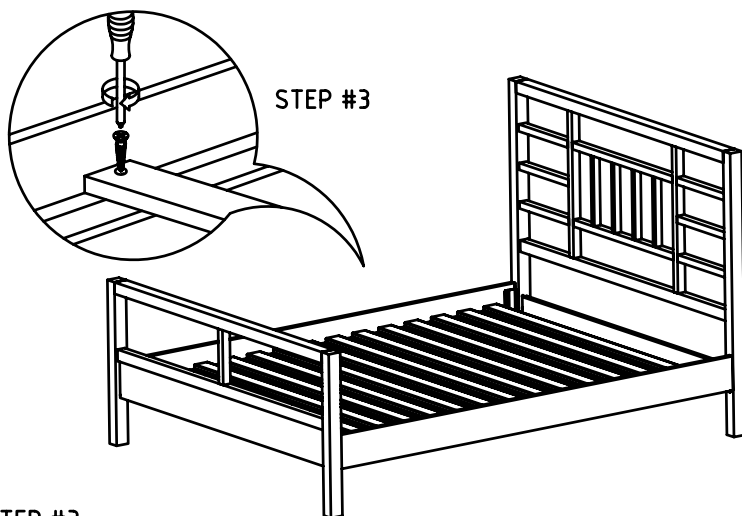
STEP #1

ATTACH EACH SIDE RAIL TO HEADBOARD BY HANGING THE HOOK BRACKET (INSTALLED)
SECURE THE SIDE RAIL HOOKS IN PLACE BY PUSHING DOWN THE TOP OF SIDE RAIL
THEN FIX EACH BRACKET USING SHORT WOOD SCREWS. REPEAT WITH FOOTBOARD



STEP #2

ATTACH TWO LEG SUPPORT WHICH CAN BE LOCATED ON THE SIDE RAIL BOX TO THE CENTER SLAT USE 4 PCS PHILLIPS
HEAD WOOD SCREWS. LAYDOWN THE ROLLED SLAT AND FIX CENTER SLAT USING THE SIX ALLEN BOLTS
AND THIGHTEN WITH ALLEN KEY
MAKE SURE 'T-NUT' ON CENTER SLAT ARE FACING TO THE FLOOR
AND NYLON STRAPS AT ROLLED SLAT TOO



STEP #3

PLACE SLAT ASSEMBLY INTO BED ASSEMBLY AND
DRILLING 14 PCS PHILLIPS HEAD WOOD SCREWS INTO EVERY OTHER SLAT FOR FITTING

STEP #2

