

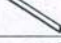


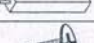



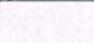
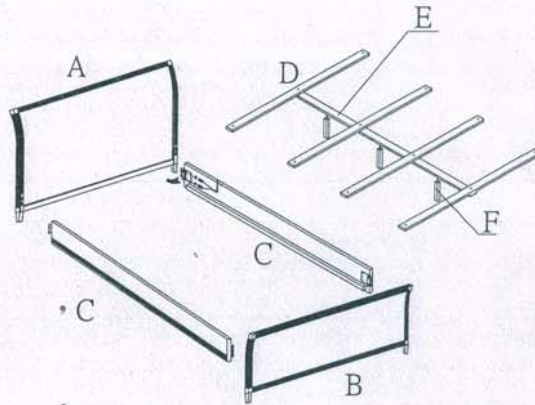


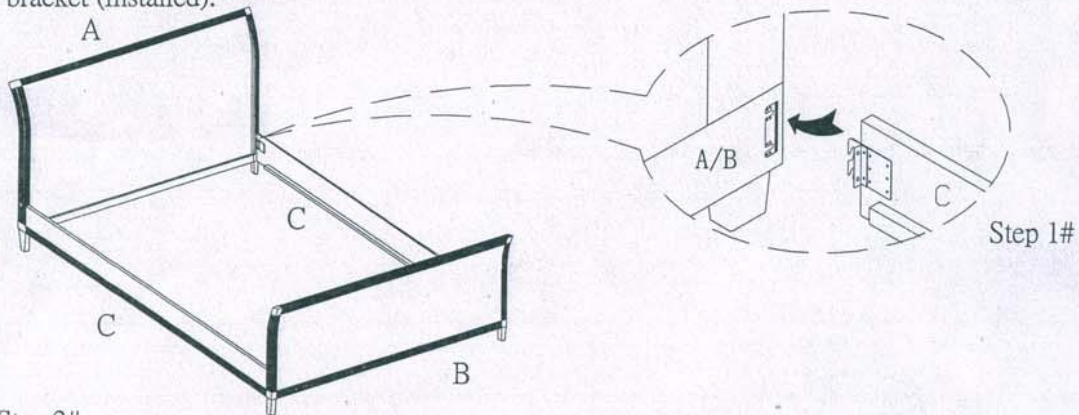
Part

A	Headboard		1 PC
B	Footboard		1 PC
C	Side Rails		2 PCS
D	Bed Slats (small)		4 PCS
E	Bed Slats (Large)		1 PC
F	Leg Supports		3 PCS
G	SCREWS		12 PCS
H	BOLT		8 PCS
I	WASHER		8 PCS
J	Allen key		1 PC



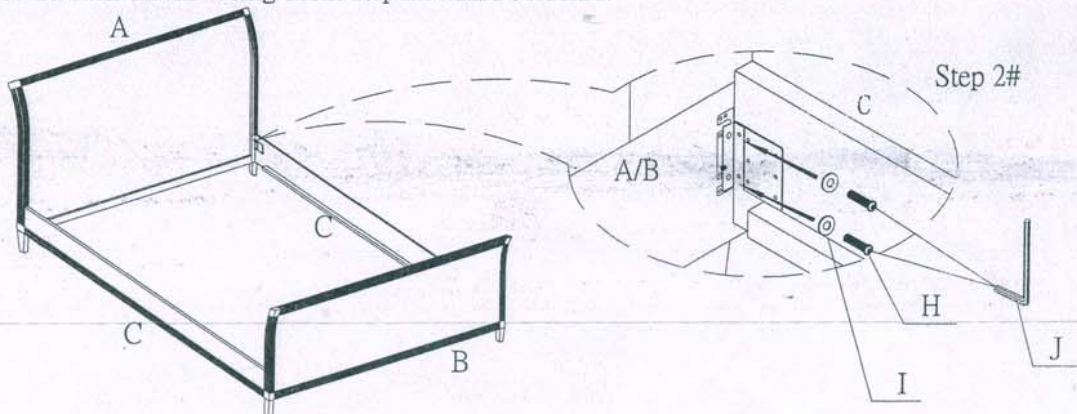
Step 1#

Attach each side rail to headboard and footboard by inserting the hook bracket (installed).



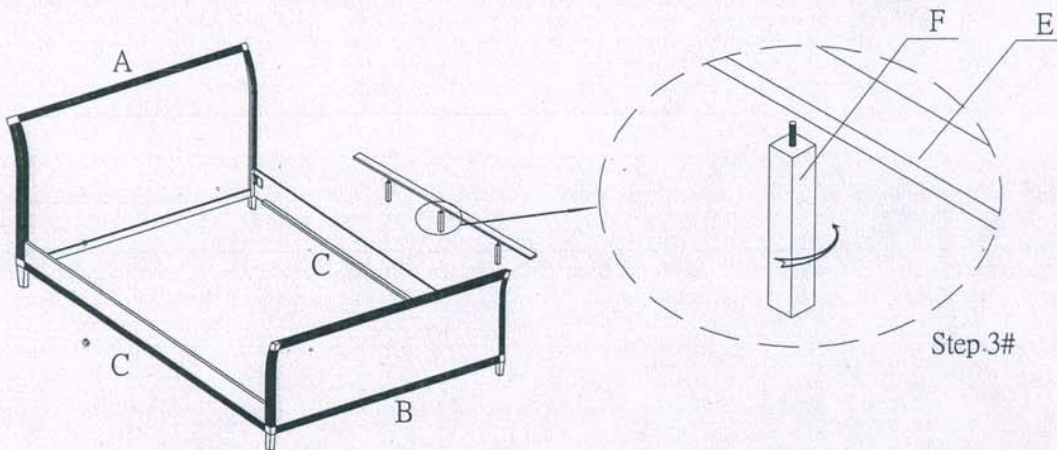
Step 2#

Then secure each bracket using bolts. Repeat with Footboard.



Step 3#

Insert leg support to hole of large bed slat



Step 4#

Place four small bed slats onto the large bed side rails and large bed slats -secure with wood screws. Make sure each corner of bed slat has been secured to the bed frame.

