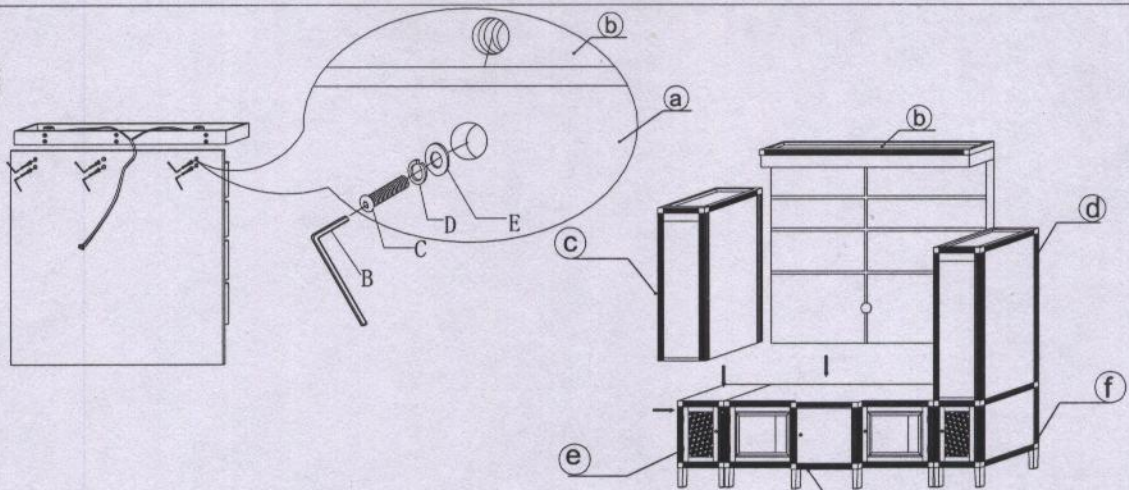


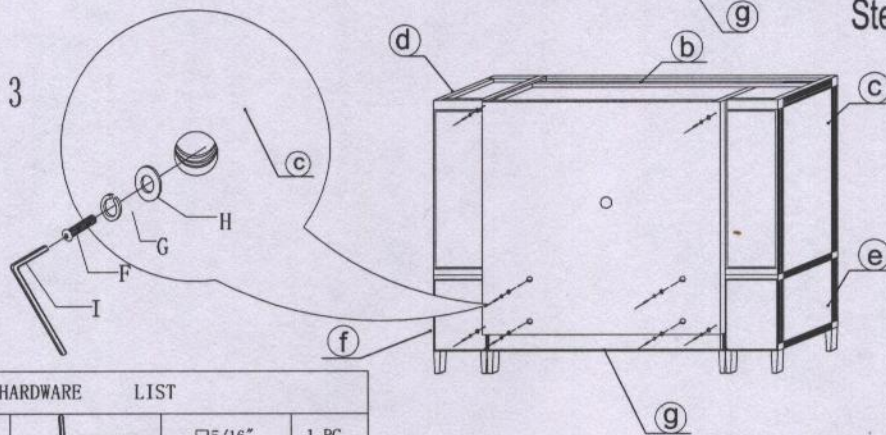
MONDRIAN ENTERTAINMENT
ASSEMBLY INSTRUCTIONS

Step 1



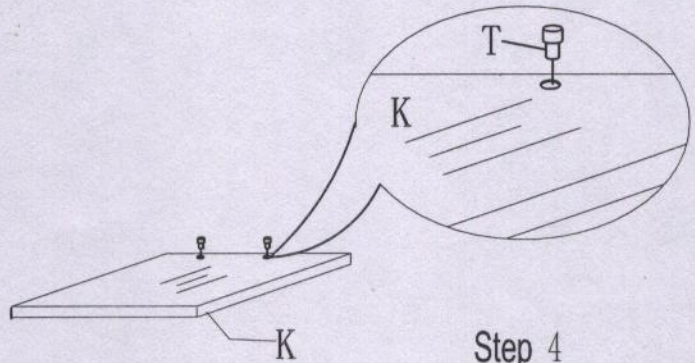
Step 2

Step 3

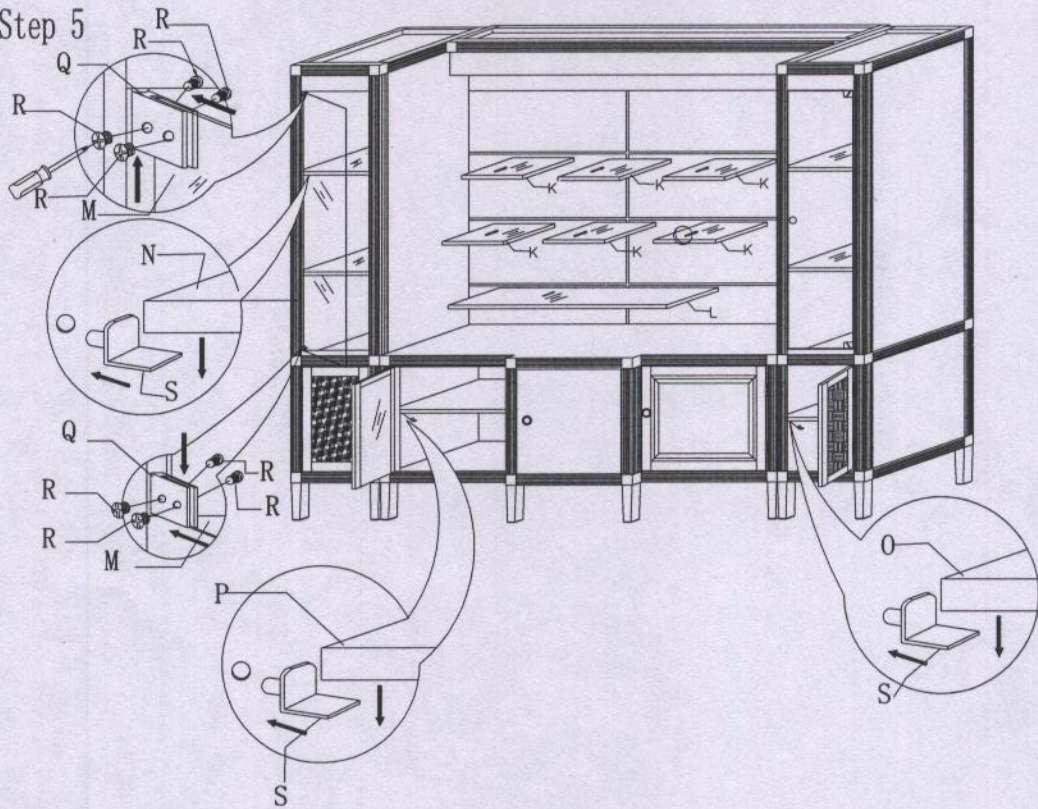


HARDWARE		LIST		
B	Allen key		□5/16"	1 PC
C	BOLT		∅5/16"×1"	6PCS
D	SPRING WASHER		∅5/16"	6 PCS
E	FLAT WASHER		∅5/16"	6 PCS
F	BOLT		∅1/4"×1"	8PCS
G	SPRING WASHER		∅1/4"	8 PCS
H	FLAT WASHER		∅1/4"	8 PCS
I	Allen key		□1/4"	1 PC
K	SHELF GLASS		203*224*10	6 PCS
L	SHELF GLASS		610*224*10	1 PC
M	GLASS DOOR		1057*269*10	2 PCS
N	SHELF GLASS		311*250*10	4 PCS
O	SHELF		312*370*16	2 PCS
P	SHELF GLASS		527*413*16	2 PCS
Q	HINGE			4 PCS
R	BOLT			8 PCS
S	Shelf Support Pin			32 PCS
T				14 PCS

Step 4



Step 5



Step 6

