



MONDRIAN 9 DRAWER DRESSER AND MIRROR

ASSEMBLY INSTRUCTIONS

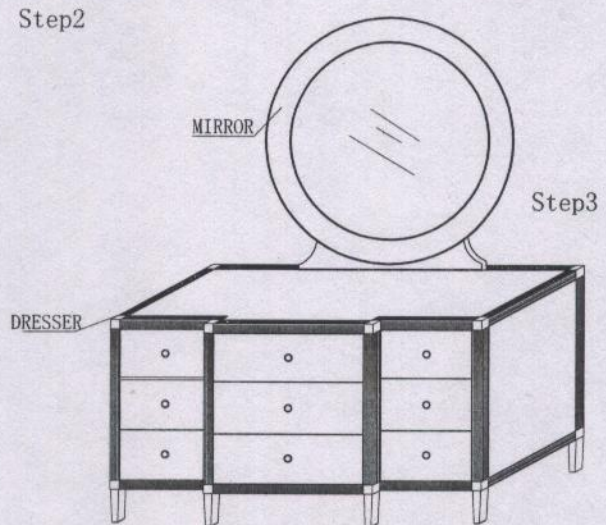
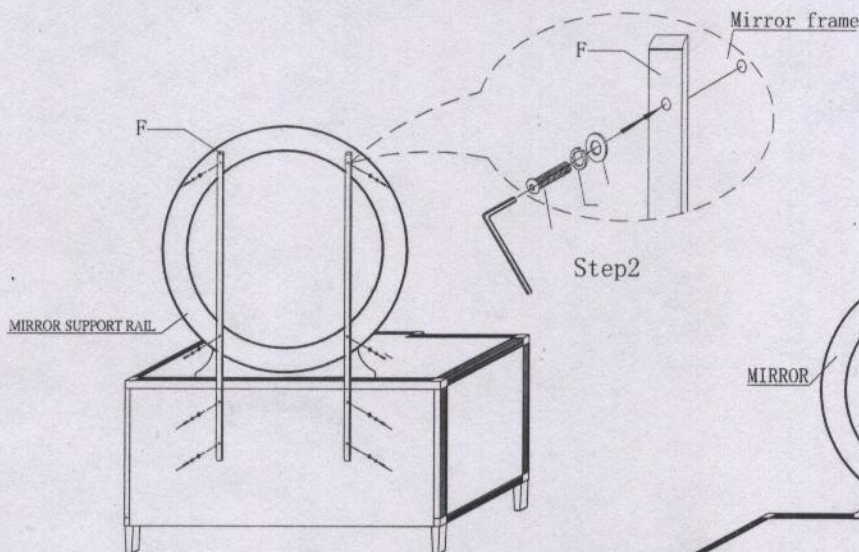
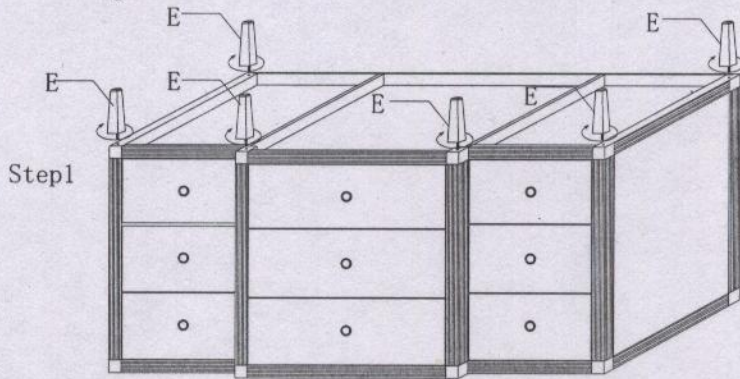
Thank you for purchasing this quality product. Be sure to check all packing materials carefully for small parts that may have come loose inside the carton during shipment.

Step1. Place the chest upside down on a soft surface and fasten the feet through the corner block.

Step2. Turn the chest to upright position

Step 3. Attach mirror support rails to mirror frame using bolt (A) with spring washers (B), flat washers (C) by using allen wrench (D) (as shown in diagram), do not over tighten these bolts at this step.

Step 4. Place the mirror on the dresser in the desired position, fasten the mirror supports to the dresser using bolt (A) with spring washers (B), flat washers (C) by using allen wrench (D) (as shown in diagram). Please tighten bolts



HARDWARE		LIST		
A	BOLT		ø5/16" * 1-1/2"	8 PCS
B	SPRING WASHER		ø5/16"	8 PCS
C	FLAT WASHER		ø5/16"	8 PCS
D	Allen key		5MM	1 PC
E	feet		152*42*42	6 PCS
F	Mirror Support rail		1100*30*20	2 PCS

MADE IN CHINA