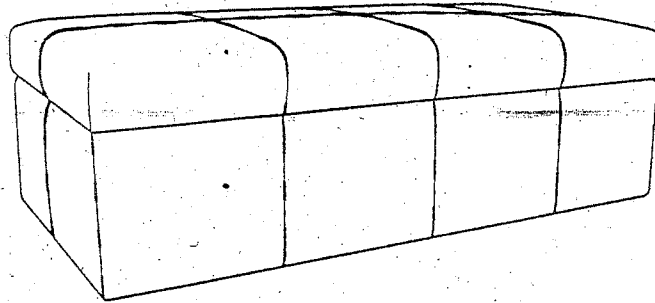
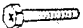



# MILANO STORAGE BENCH

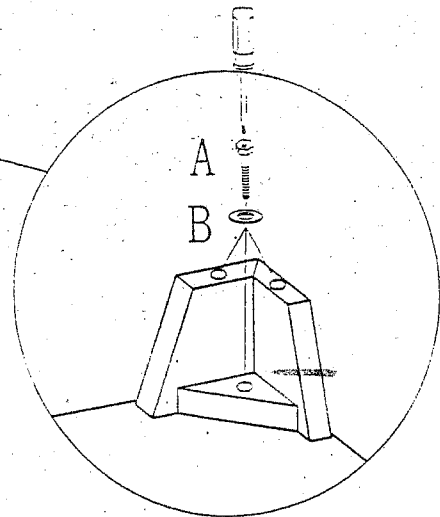
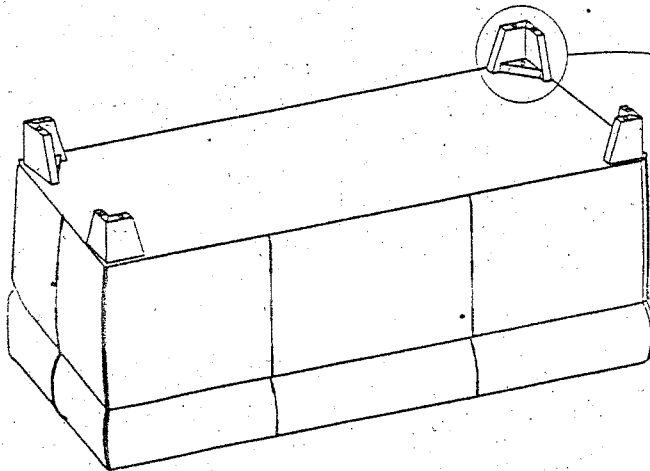
## ASSEMBLY INSTRUCTIONS



A		BOLT			Ø5/16**4-1/2"	12PCS	B		FLAT WASHER		Ø5/16"	12PCS
---	--	------	--	---	---------------	-------	---	--	-------------	---	--------	-------

### Step 1

Lock the feet into bench with bolt and washer.



### Step 2

After fixed tightly and turn back.

