

MODUS

MILANO

KING SIZE

ASSEMBLY INSTRUCTIONS

Part

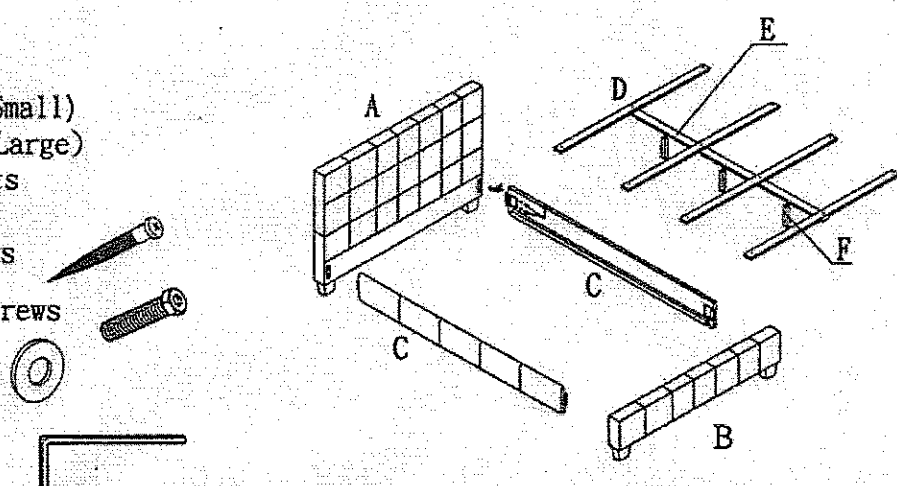
- A-1 • Headboard
- B-1 • Footboard
- C-2 • Side Rails
- D-4 • Bed Slats(Small)
- E-1 • Bed Slats(Large)
- F-3 • Leg Supports

G-12 • Wood screws

H-8 • machine screws

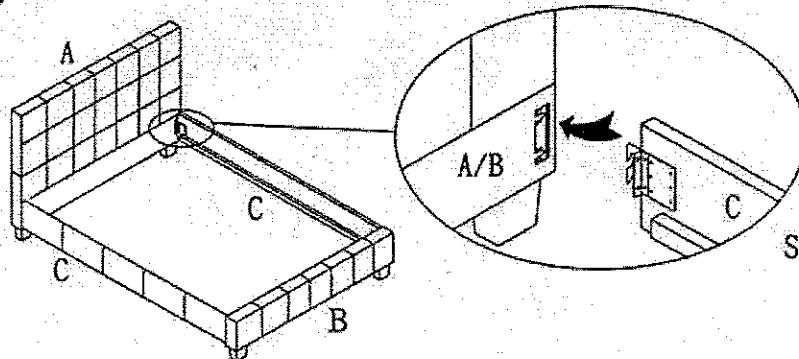
I-8 • washer

J-1 • Allen key



Step 1#

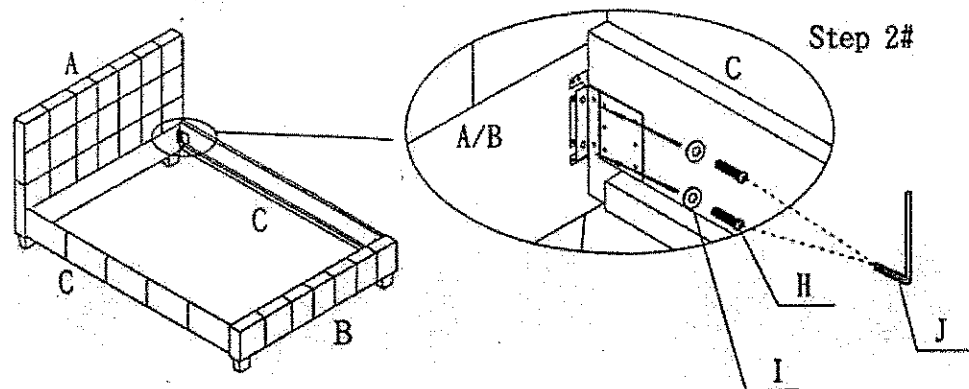
Attach each side rail to headboard and footboard by hanging the hook bracket (installed).



Step 1#

Step 2#

Then fix each bracket using machine screws. Repeat with Footboard.



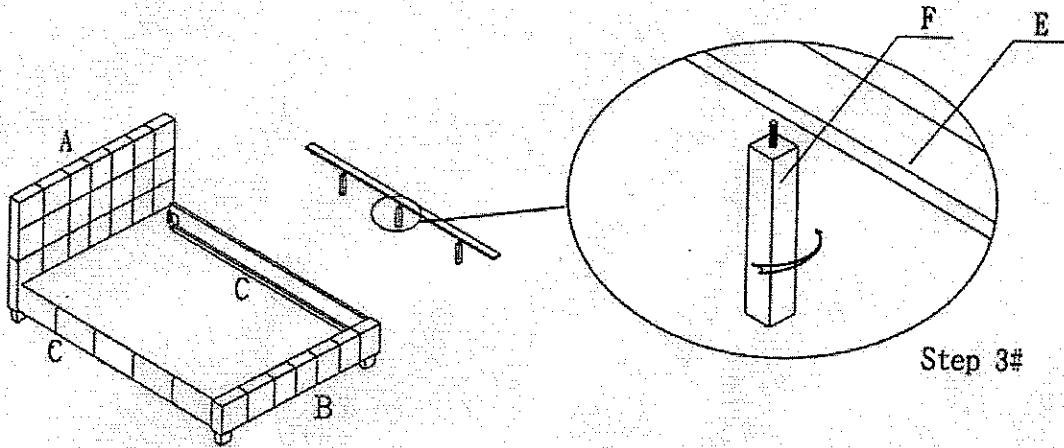
Step 2#

MODUS

MILANO

KING SIZE ASSEMBLY INSTRUCTIONS

Step 3#
Attach a leg support to hole of large bed slat



Step 4#
Place four small bed slats onto the large bed side rails and large bed slats assembly and fix using wood screws. Make sure each corner of bed slat has been fixed to the bed assembly.

