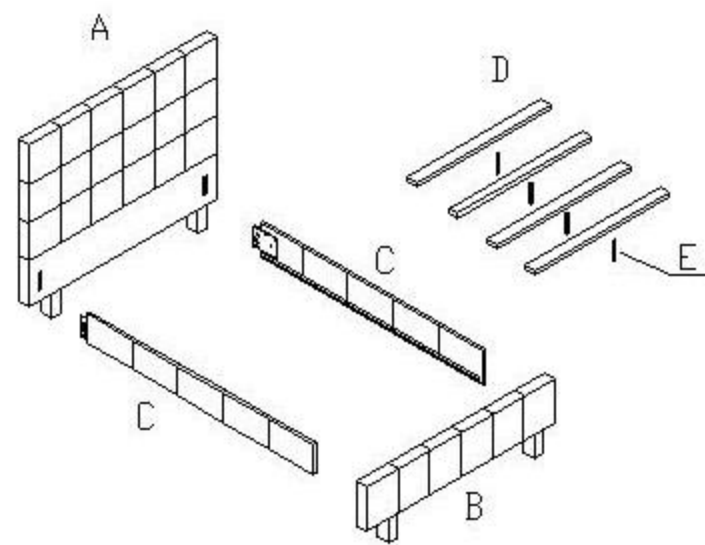


part

- A Headboard 1 PC
- B Footboard 1 PC
- C Side Rails 2 PCS
- D leg Supports 4 PCS
- E Bed Slats 4 PCS

F Bolt screws  1/4*1" 12 PCS

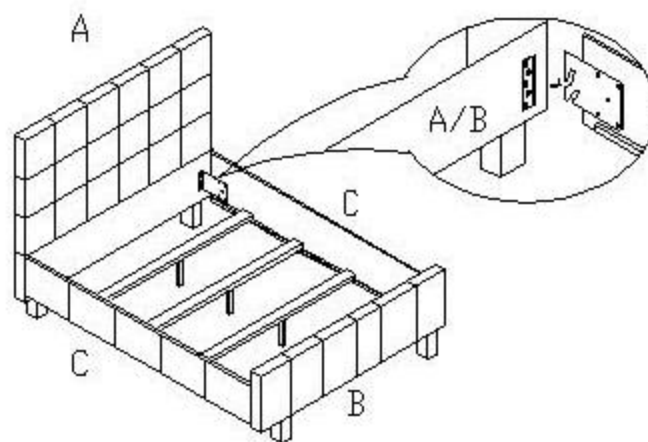
G Allen key  $\varnothing 1/4$ 1 PCS



* Please take off the protect board of FB before assembling

Step 1#

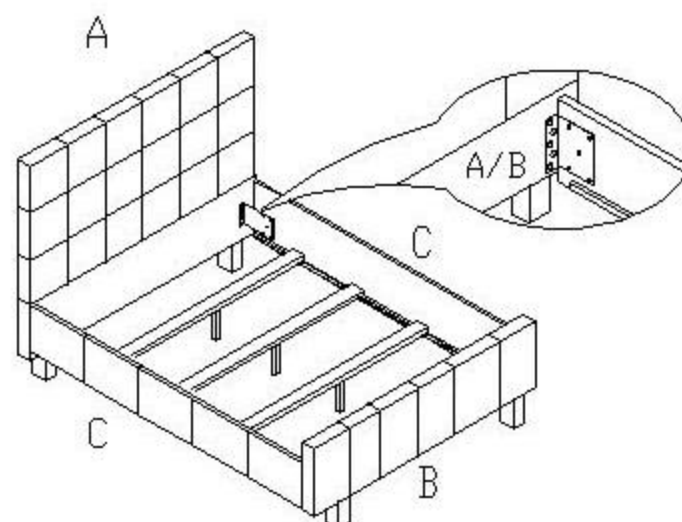
Attach each side rail to headboard and footboard by hanging the hook bracket (installed).



Step 1#

Step 2#

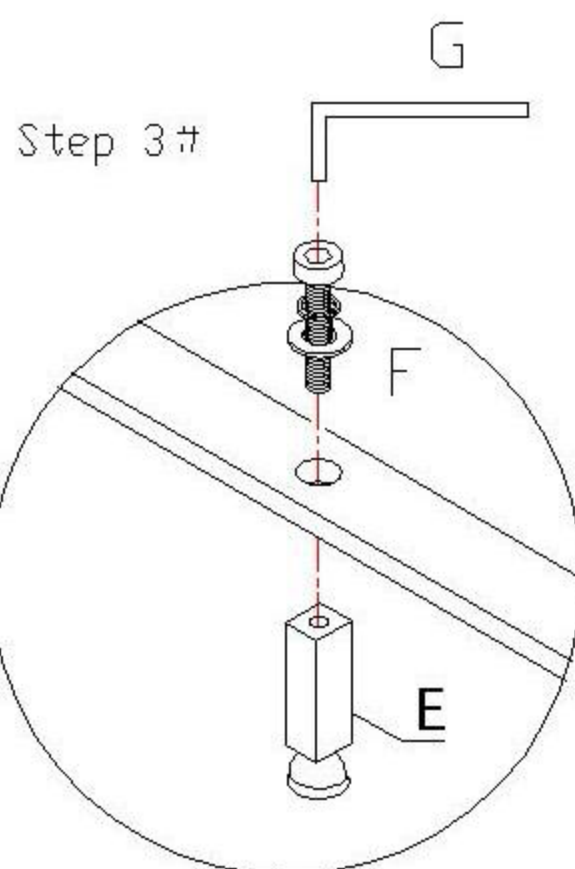
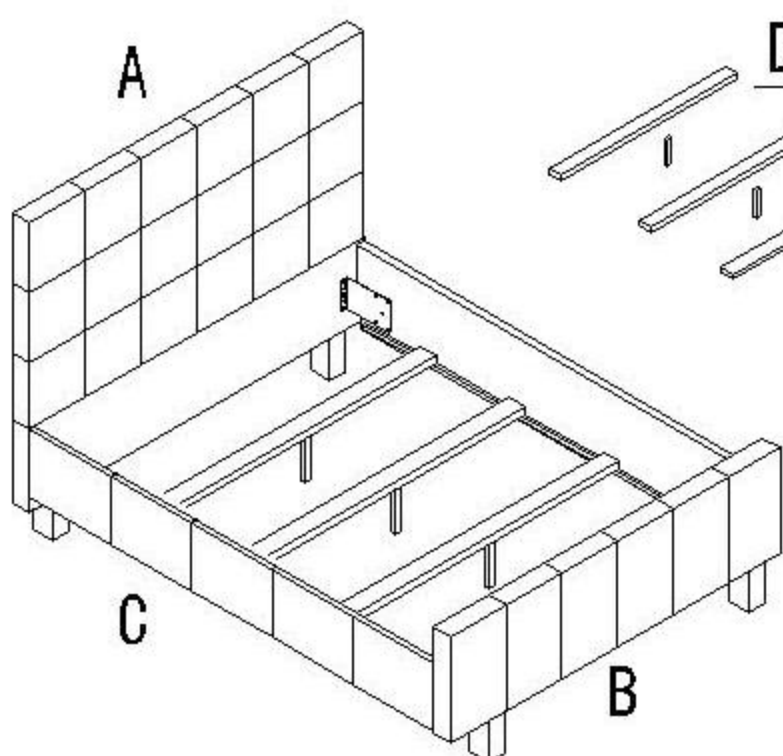
Then fix each bracket using bolt screws. Repeat with Footboard



Step 2#

Step 3#

Attach a leg support hole of large bed slat



Step 4#

Place four small bed slats onto the large bed side rails and large bed slats assembly and fix using wood screws. Make sure each corner of bed slat have been fixed to the bed assembly

