

MODUS

MILANO

FULL/QUEEN SIZE

ASSEMBLY INSTRUCTIONS

Part .

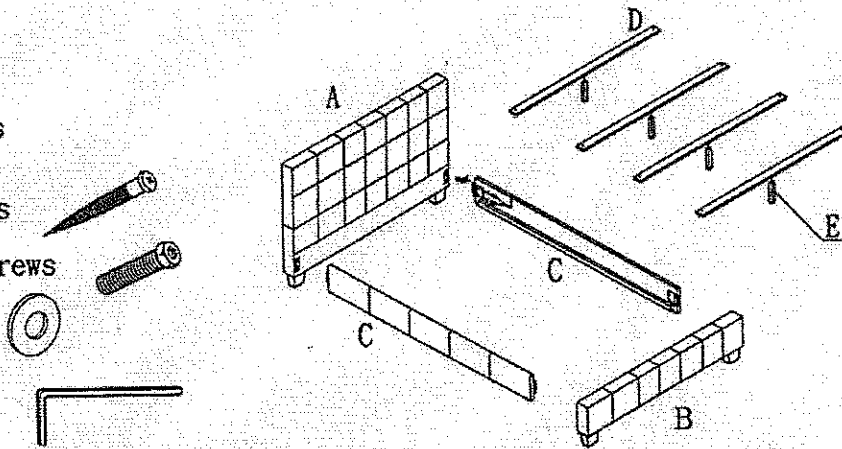
- A-1 • Headboard
- B-1 • Footboard
- C-2 • Side Rails
- D-4 • Bed Slats
- E-4 • Leg Supports

F-8 • Wood screws

G-8 • machine screws

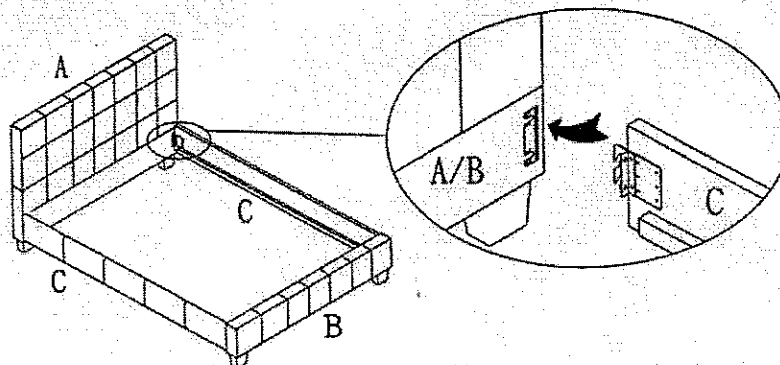
H-8 • washer

I-1 • Allen key



Step 1#

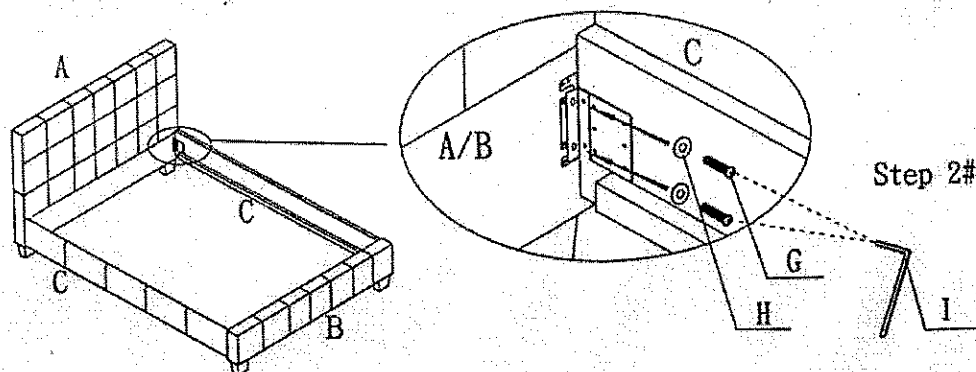
Attach each side rail to headboard and footboard by hanging the hook bracket (installed).



Step 1#

Step 2#

Then fix each bracket using machine screws. Repeat with Footboard.



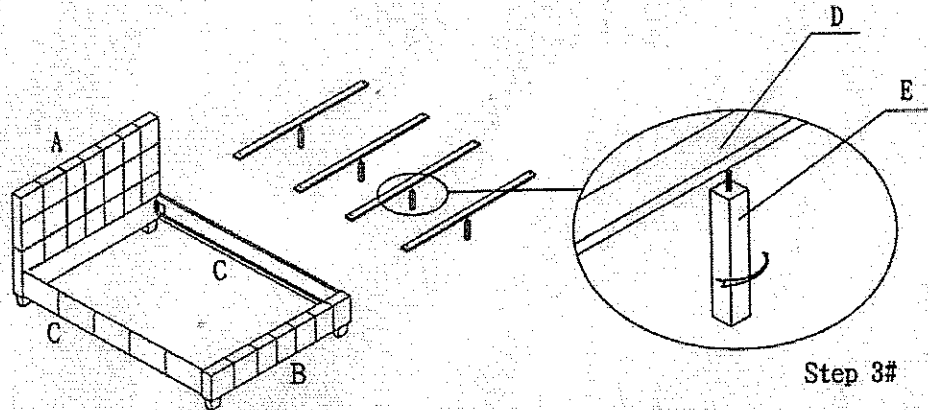
Step 2#

MODUS

MILANO

FULL/QUEEN SIZE
ASSEMBLY INSTRUCTIONS

Step 3#
Attach a leg support to hole of bed slat



Step 4#
Place four bed slats onto the bed side rails assembly and fix using wood screws.
Make sure each corner of bed slat has been fixed to the bed assembly.

