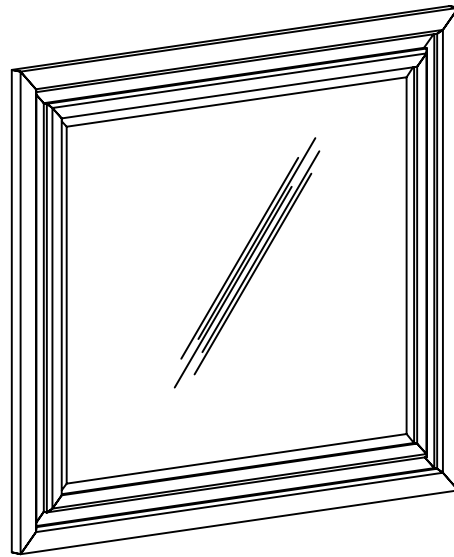


# HUDSON MIRROR

**MFI** MODUS  
FURNITURE  
INTERNATIONAL

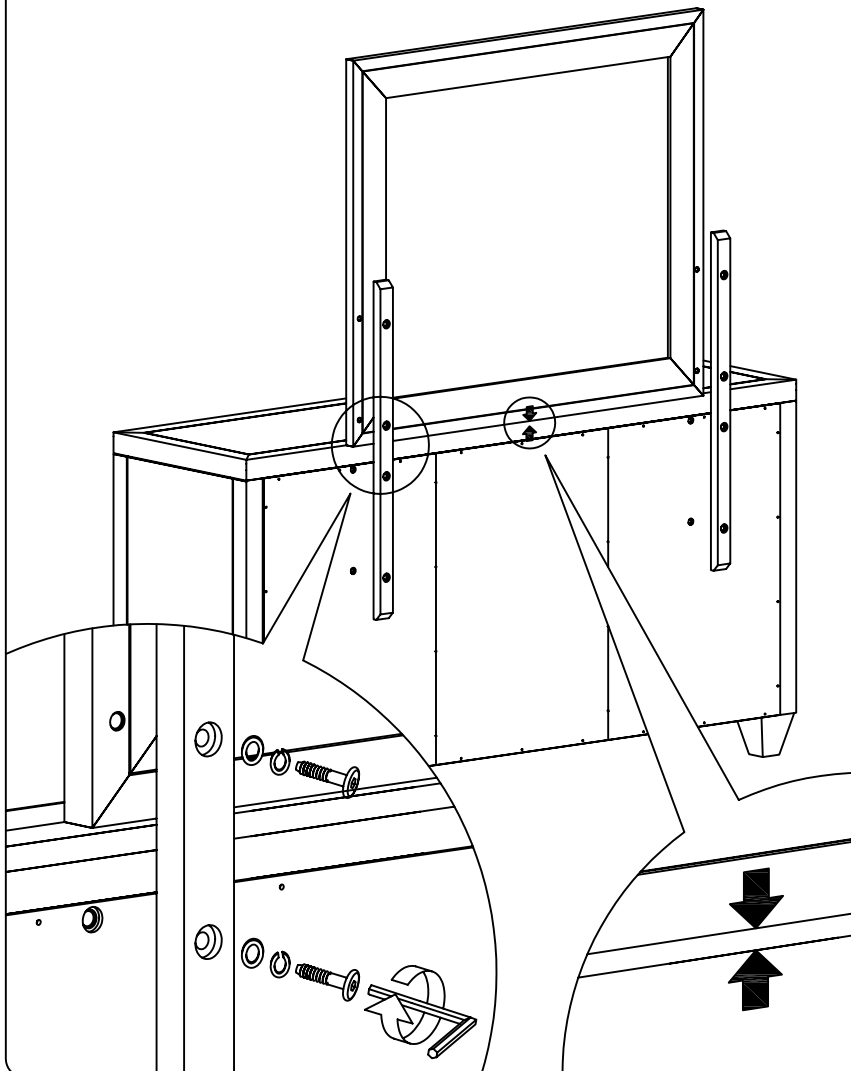
## ASSEMBLY INSTRUCTIONS



### FIXING MIRROR ON THE DRESSER

MATCH THE ARROW MARK ON THE MIRROR'S BACK PANEL TO THAT ON THE BACK OF THE DRESSER.

PLACE THE WOOD SUPPORTS (2 PCS) ON THE PILOT BOLT ON DRESSER USING WASHER, SPRING WASHER, ALLEN BOLT AND TIGHTEN WITH ALLEN KEY.

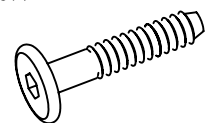


#### HARDWARE

HARDWARE CAN BE FOUND ON  
DRESSER CARTON BOX



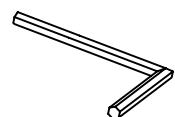
8 - WASHER



8 - ALLEN BOLT



8 - SPRING WASHER



1 - ALLEN KEY