



MODUS
FURNITURE
INTERNATIONAL

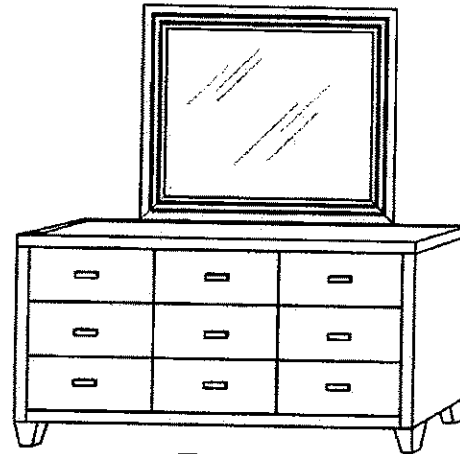
HUDSON

DRESSER AND MIRROR

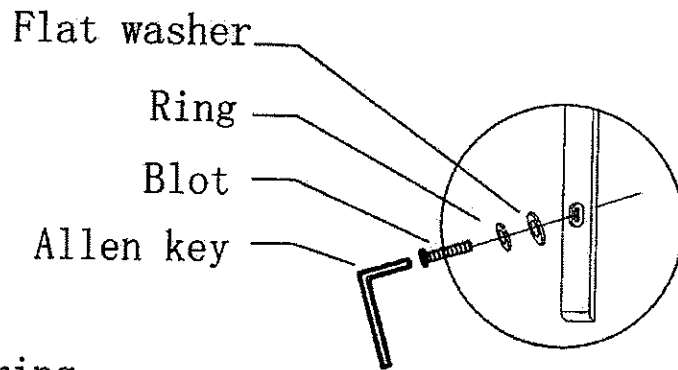
ASSEMBLY INSTRUCTIONS

Component Check List

- 8 * Bolt
- 8 * Ring
- 8 * Flat washer
- 2 * Post
- 1 * Allen key

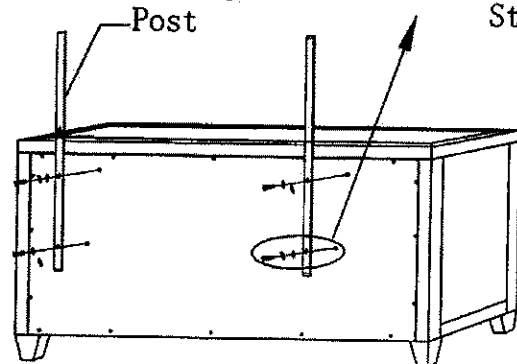


Front



Step 1#

Insert bolt through ring , flat washer and post then tighten into holes in rear of cabinet.



Back



MODUS
FURNITURE
INTERNATIONAL

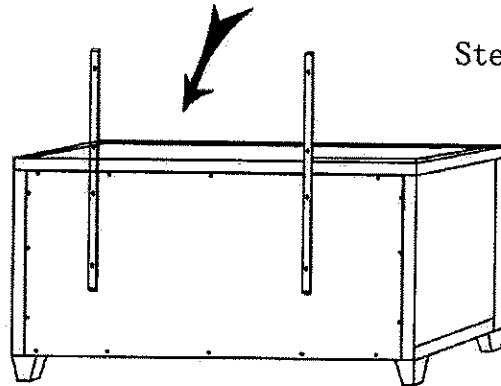
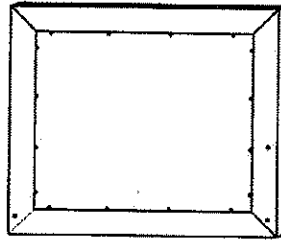
HUDSON

DRESSER AND MIRROR

ASSEMBLY INSTRUCTIONS

Step 2#

Place mirror on top of dresser.
Line up the open holes between
mirror dresser back post.

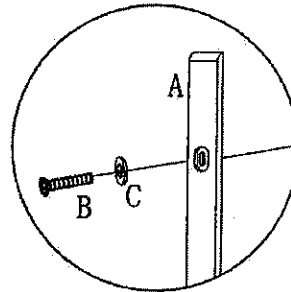
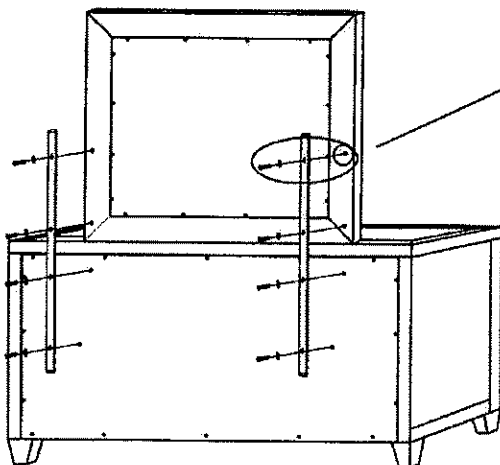


Step 2#

Back

Step 3#

Insert bolt through ring ,
flat washer and post then
tighten into back of mirror.



Step 3#

Back