

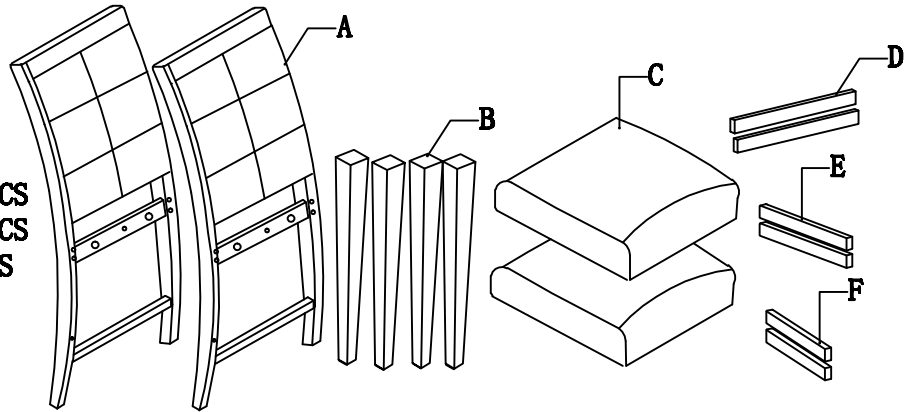
# HUDSON COUNTER STOOL ASSEMBLY INSTRUCTIONS



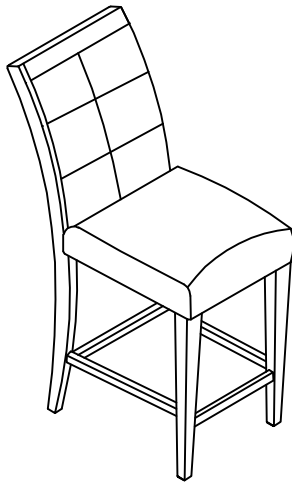
## PARTS AND FITTINGS PACKING DETAIL

### BOX




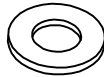
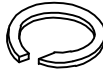


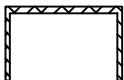
- A. STOOL BACK 2PCS
- B. STOOL LEG 4PCS
- C. STOOL SQUAB CUSHION 2PCS
- D. STOOL FRONT CROSS BRACE 2PCS
- E. STOOL RIGHT CROSS BRACE 2PCS
- F. STOOL LEFT CROSS BRACE 2PCS



### HUDSON COUNTER STOOL ASSEMBLY

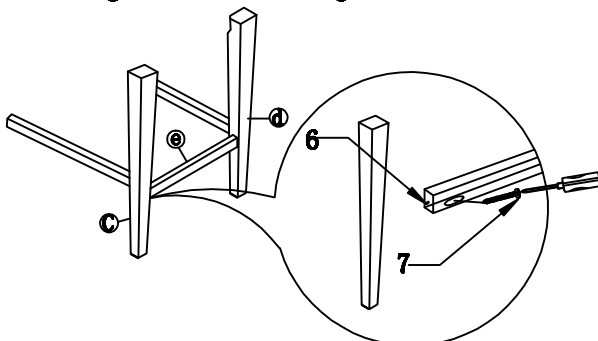


### HARDWARE PACKED IN BOX

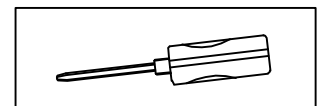
1	ALLEN KEY 5MM	1 PCS	2	BOLT ø5/16" * 3"	4 PCS	3	BOLT ø5/16" * 1-3/4"	6 PCS
								
4	FLAT WASHER ø8*19	10 PCS	5	SPRING WASHER ø8*13	10 PCS	6	WOOD PLUG ø8*30MM	7 PCS
								
7	WOOD SCREW ø10*2"	6 PCS	8	DETERMINE 417*22*15	1 PCS			
								

### Step1:

Place the chair back on a soft surface.  
Put small wood plug (6) into hole of end of all three cross braces, then attach cross brace to front legs as shown in diagram.

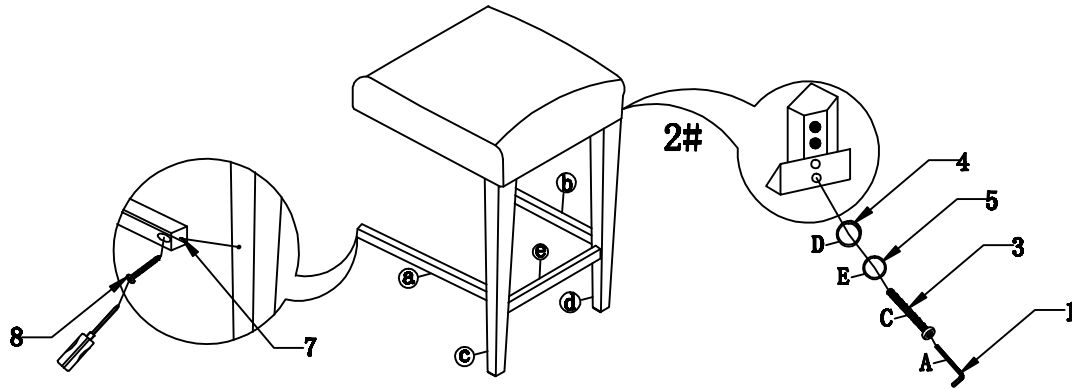


**TOOLS REQUIRED:**  
PHULLIPS HEAD SCREWDRIVER  
(NOT PROVIDED)



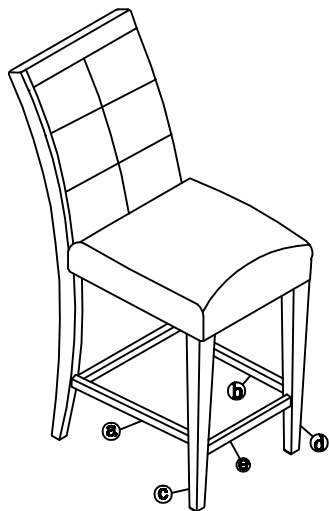
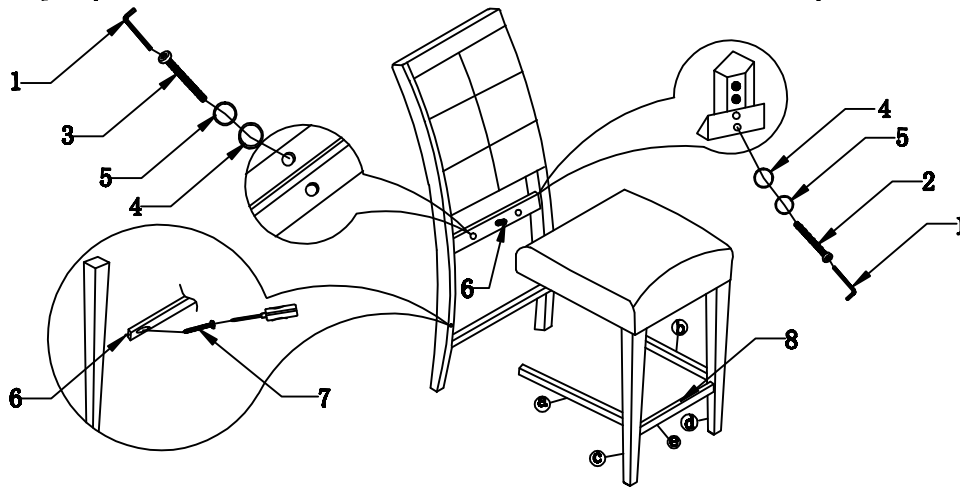
**Step2:**

Attach left and right cross brace as shown in diagram.  
then attach front legs to seat frame as shown in diagram, too.



**Step3:**

Put large wood plug into the hole of seat , back as shown in diagram.



(a)	left cross brace	1pc
(b)	right cross brace	1pc
(c)	left leg	1pc
(d)	right leg	1pc
(e)	front cross brace	1pc