

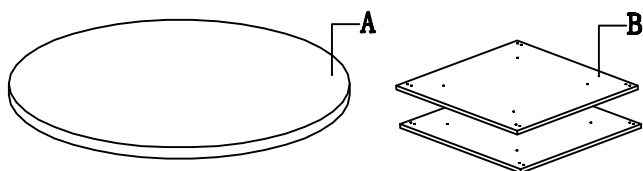
HUDSON RD WINE COUNTER TABLE ASSEMBLY INSTRUCTIONS



PARTS AND FITTINGS PACKING DETAIL

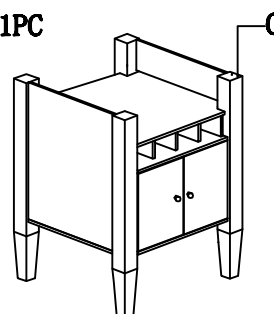
BOX #1

- A. TABLE TOP 1PC
- B. TABLE SPLINT 2PCS

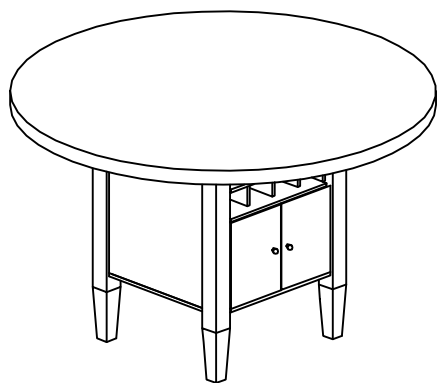


BOX #2





- C. TABLE BELOW 1PC



HUDSON RD WINE COUNTER TABLE ASSEMBLY

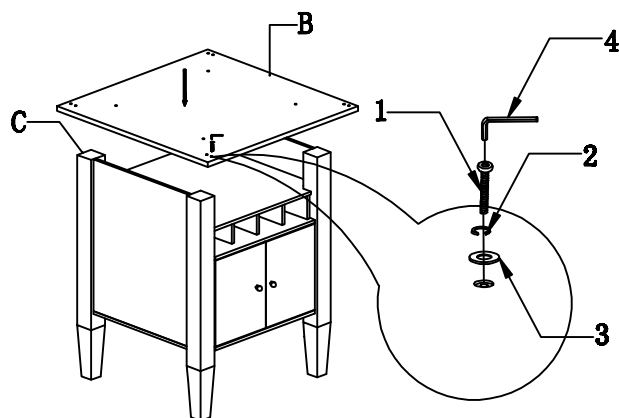


HARDWARE PACKED IN BOX #1

1	BOLT ø5/16" * 1-1/4"	12 PCS	2	SPRING WASHER ø8*13	12 PCS
					
3	FLAT WASHER ø8*21	12 PCS	4	Allen key 5MM	1 PCS
					

STEP1:

ATTACH THE SUB TOP PANEL AS SHOWN.



STEP2:

Attach the top panel as shown.

