

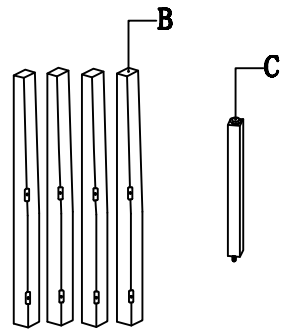
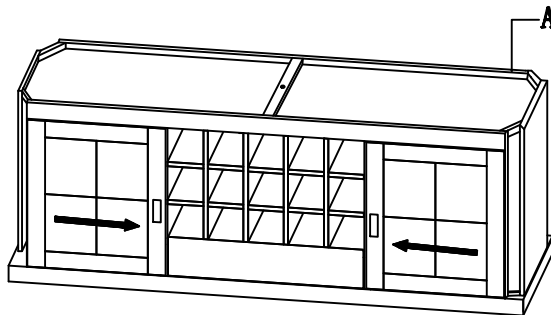
HUDSON SIDEBOARD ASSEMBLY INSTRUCTIONS



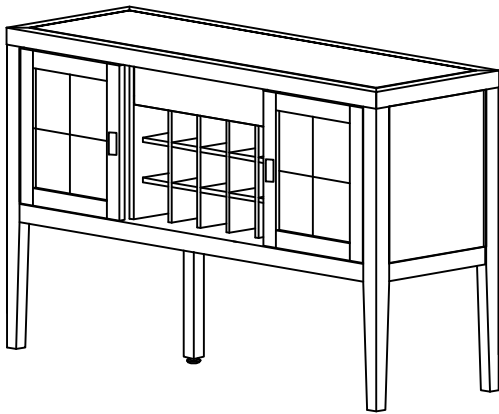
PARTS AND FITTINGS PACKING DETAIL

BOX



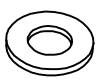

- A. SIDEBOARD TOP 1PC
- B. SIDEBOARD LEG 4PCS
- C. SIDEBOARD SUPPORT LEG 1PC



HUDSON SIDEBOARD ASSEMBLY

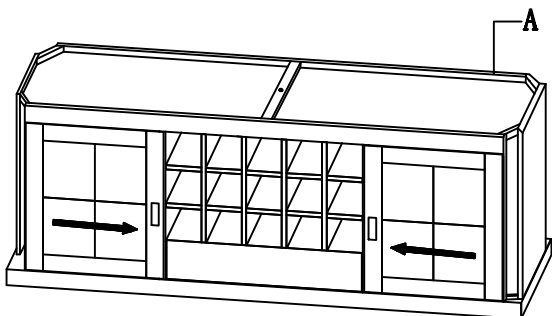


HARDWARE PACKED IN BOX

1	BOLT ø5/16" * 2"	8 PCS	2	SPRING WASHER ø8*13	8 PCS
					
3	FLAT WASHER ø8*21	8 PCS	4	Allen key 5MM	1 PCS
					

STEP1:

Place the chest (A) upside down on a soft surface .



STEP2:

Attach long legs as shown in diagram.
Then tighten adjustable feet to bottom of top cabinet.
Turn back upright after finish assembly.

