

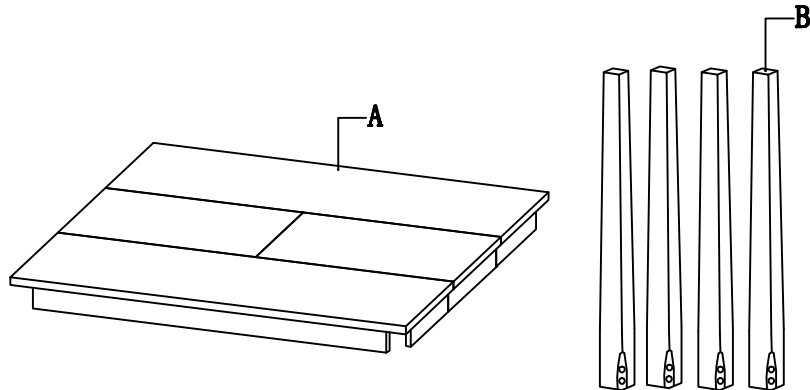
HUDSON COUNTER TOP TABLE ASSEMBLY INSTRUCTIONS



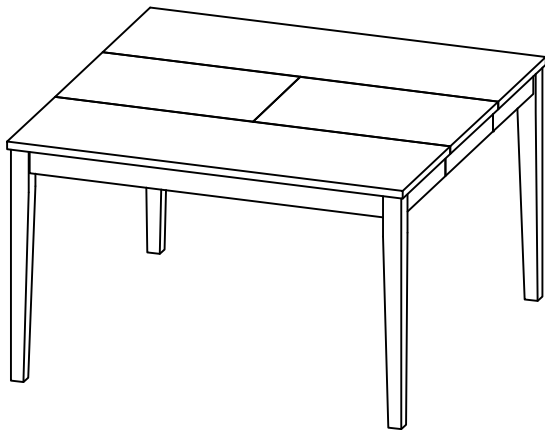
PARTS AND FITTINGS PACKING DETAIL

BOX

- A. TABLE TOP 1PC
- B. TABLE LEG 4PCS



HUDSON COUNTER TOP TABLE ASSEMBLY



HARDWARE PACKED IN BOX

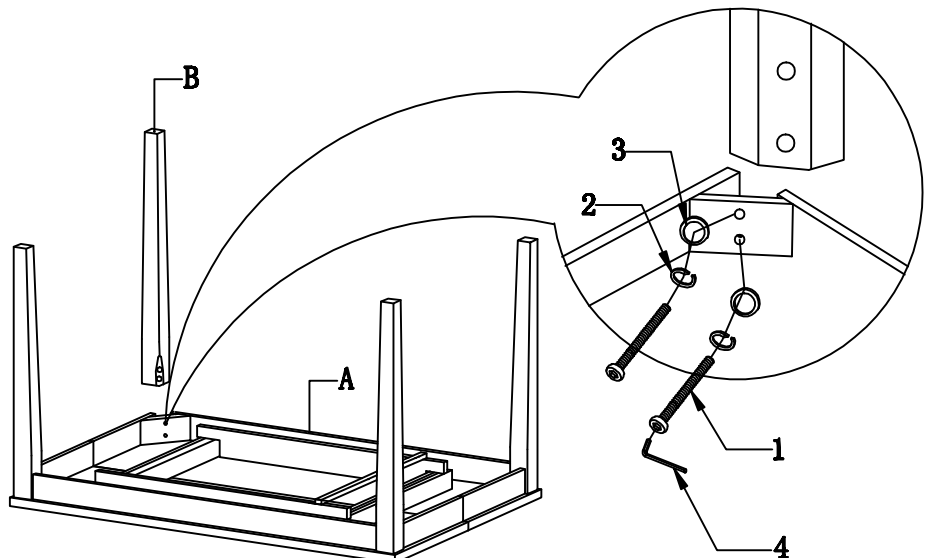
| | | | | | |
|---|-----------------------------|----------|---|-------------------------------|----------|
| 1 | BOLT ø5/16" * 2" | 8 PCS | 2 | SPRING WASHER ø8*13 | 8 PCS |
| | | | | | |
| 3 | FLAT WASHER ø8*21 | 8 PCS | 4 | Allen key 5MM | 1 PCS |
| | | | | | |

STEP1:

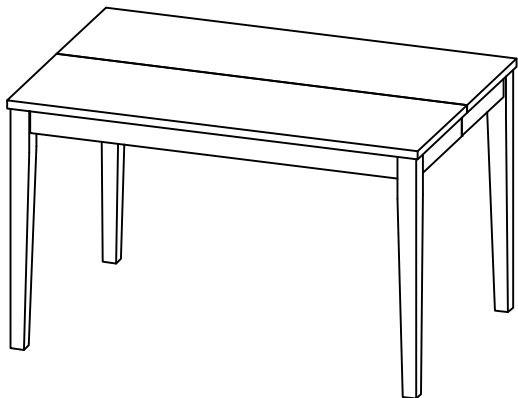
PLACE THE CHEST (A) UPSIDE
DOWN ON A SOFT SURFACE.

ATTACH LEGS (B) TO TOP OF
TABLE AS SHOWN IN DIAGRAM.

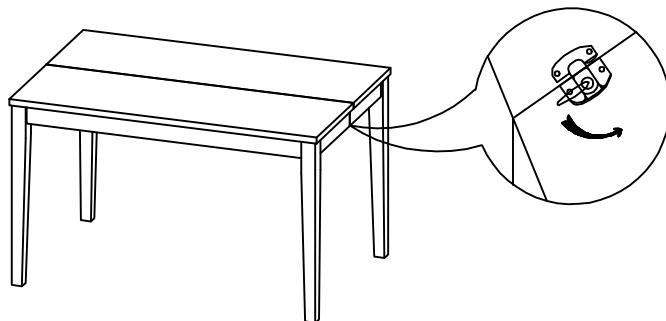
TURN THE TABLE TO UPRIGHT
POSITION.



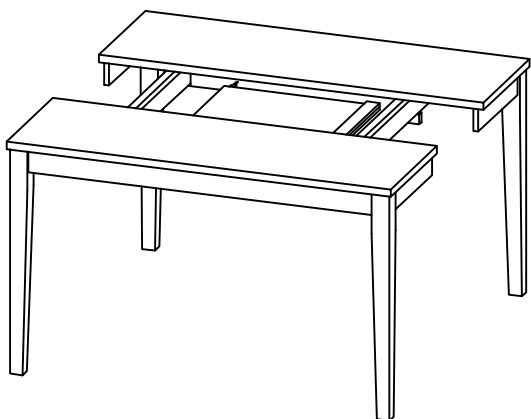
Step2:



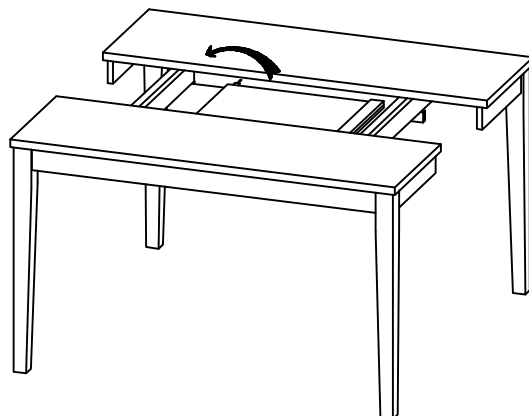
Step3:



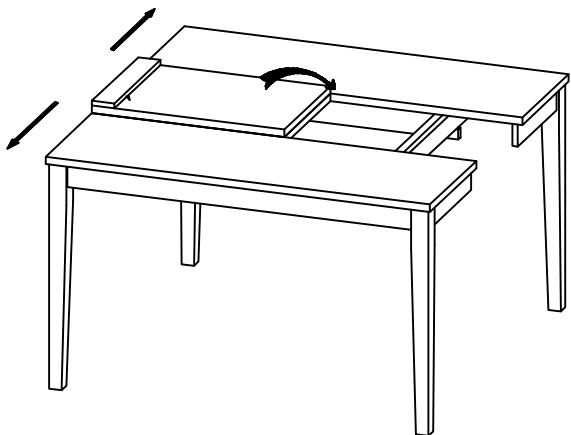
Step4:



Step5:



Step6:



Step7:

