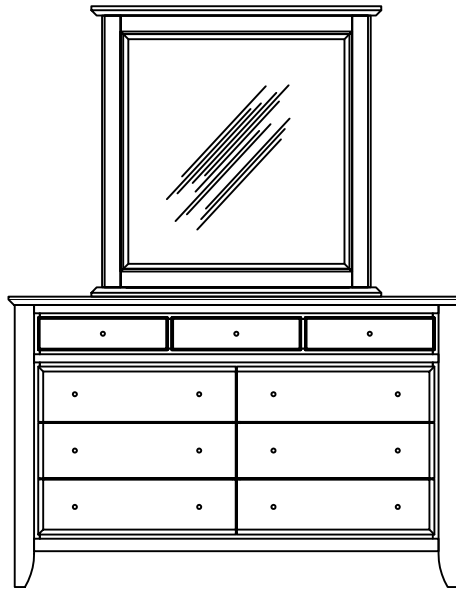


CITY MIRROR

ASSEMBLY INSTRUCTION

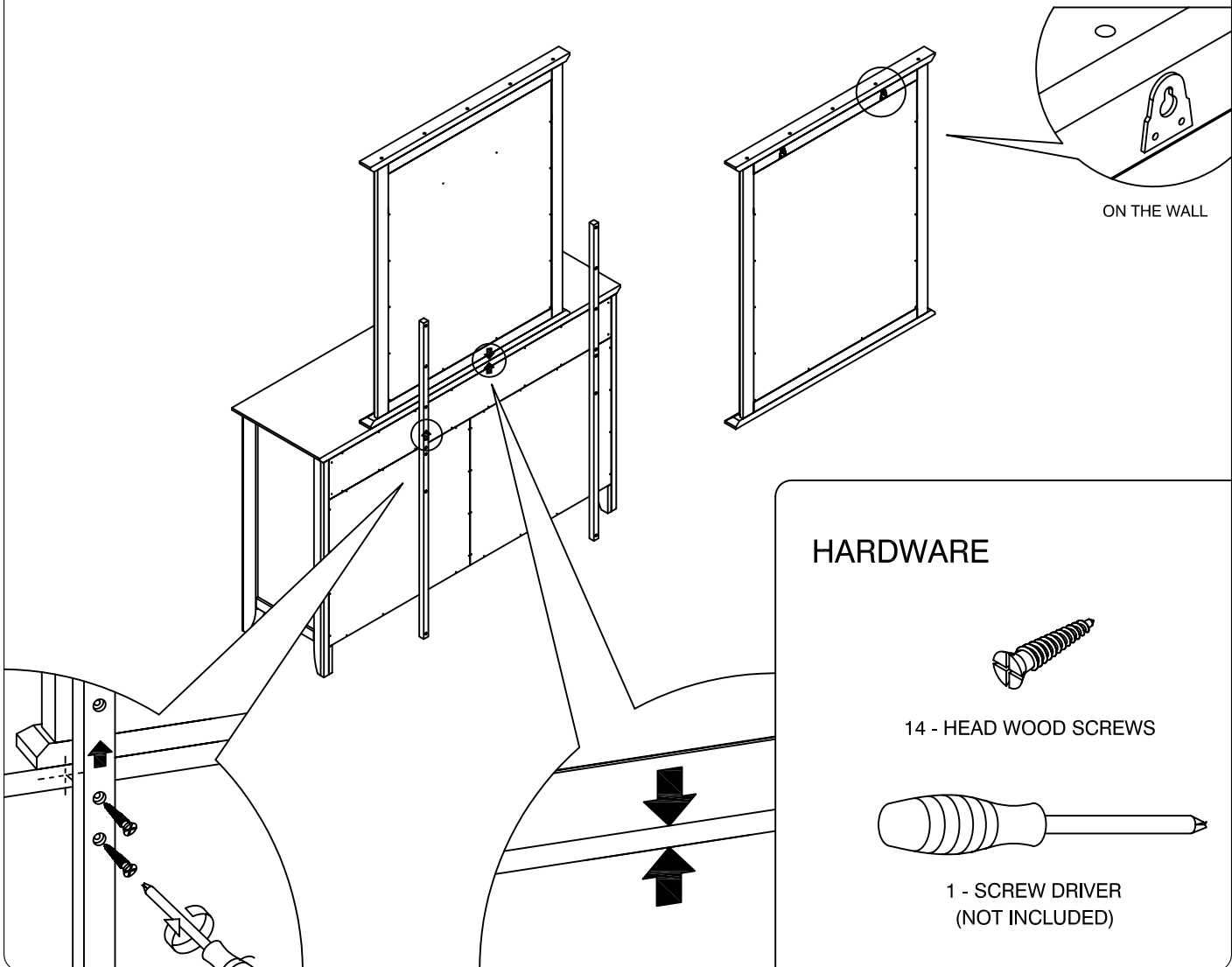


OPTION 1 FIXING MIRROR ON THE DRESSER

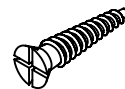
MATCH THE ARROW MARK ON THE MIRROR'S BACK PANEL TO THAT ON THE BACK OF THE DRESSER. PLACE THE WOOD SUPPORTS (2 PCS) ON THE PILOT SCREW AND TIGHTEN WITH WOOD SCREW

OPTION 2 FIXING MIRROR ON THE WALL

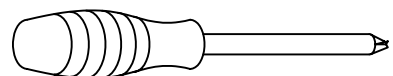
HANG THE MIRROR ON THE WALL USING METAL EYE LID WHICH ALREADY INSTALLED ON IT'S BACK PANEL



HARDWARE



14 - HEAD WOOD SCREWS



1 - SCREW DRIVER
(NOT INCLUDED)