

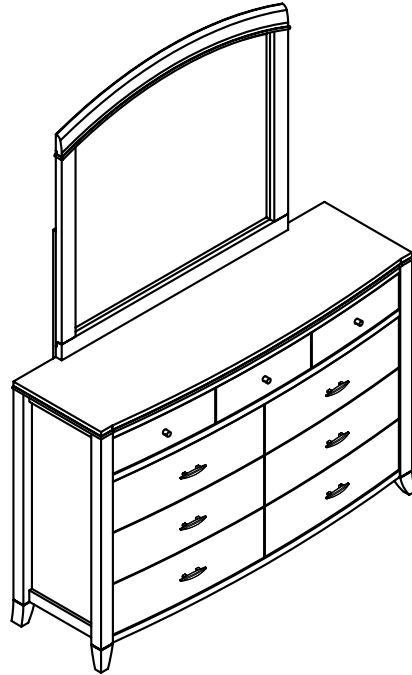
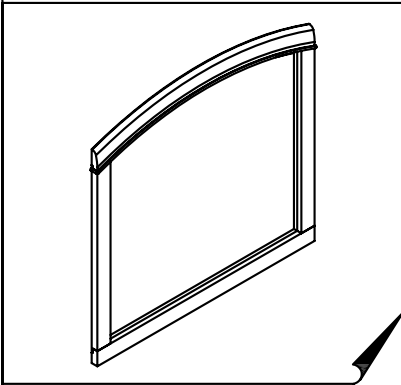
BRIGHTON MIRROR



ASSEMBLY INSTRUCTION

WARNING !!!

WE RECOMMEND TO HAVE ANOTHER PERSON TO EASE ASSEMBLY PROCEDURE



FIXING MIRROR ON THE DRESSER

MATCH THE ARROW MARK ON THE MIRROR'S BACK PANEL TO THAT ON THE BACK OF THE DRESSER. PLACE THE WOOD SUPPORTS (2 PCS) (THERE ARE INSIDE IN THE DRESSER CARTON BOX) ON THE PILOT SCREW AND TIGHTEN WITH SCREW DRIVER

