

# AVALON SLEIGH BED

## TWIN/FULL/QUEEN SIZE

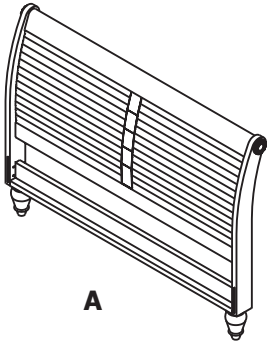
### ASSEMBLY INSTRUCTIONS

**MFI** MODUS  
FURNITURE  
INTERNATIONAL

#### PARTS AND FITTING PACKAGING DETAIL

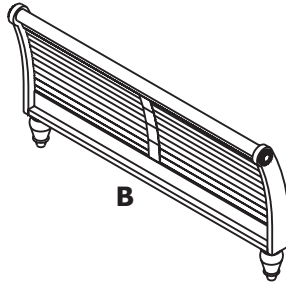
##### BOX #1

A. HEADBOARD 1 PC



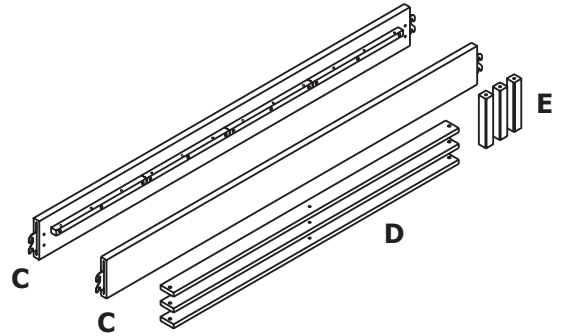
##### BOX #2

B. FOOTBOARD 1 PC

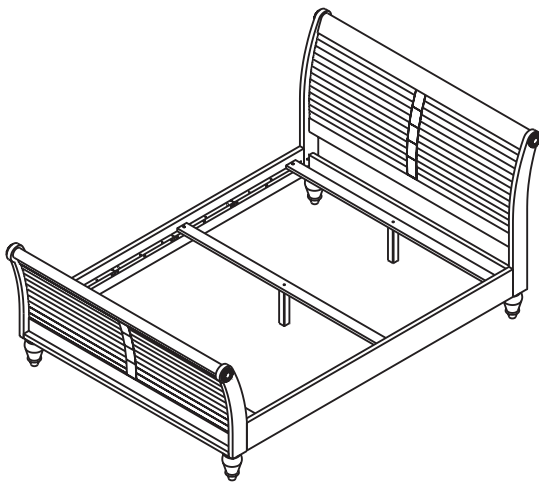


##### BOX #3

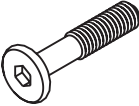

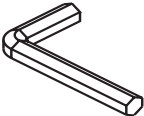
C. SIDERAILS 2 PCS  
D. SLATS 3 PCS  
E. LEG SUPPORT 3 PCS  
HARDWARE BOX



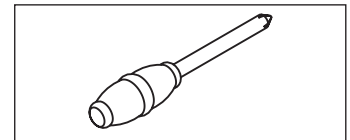
#### AVALON SLEIGH BED ASSEMBLY



#### HARDWARE PACKED IN BOX #3

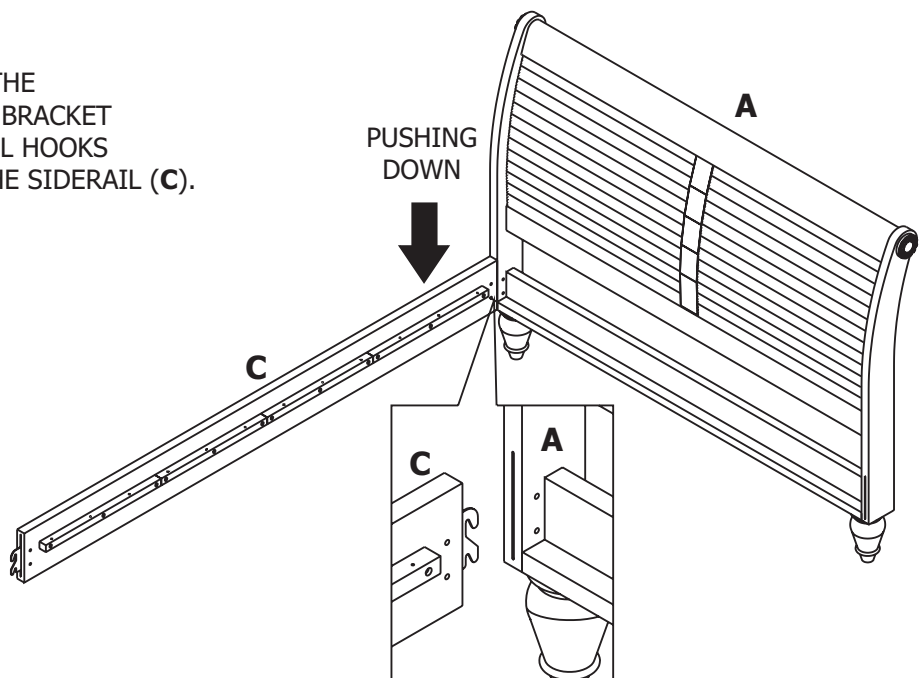
1	ALLEN BOLT 40MM	3 PCS	2	WOOD SCREW Ø8X30MM	6 PCS	3	ALLEN KEY	1 PC
								

**TOOL REQUIRED :**  
PHILLIPS HEAD SCREW  
DRIVER (NOT PROVIDED)



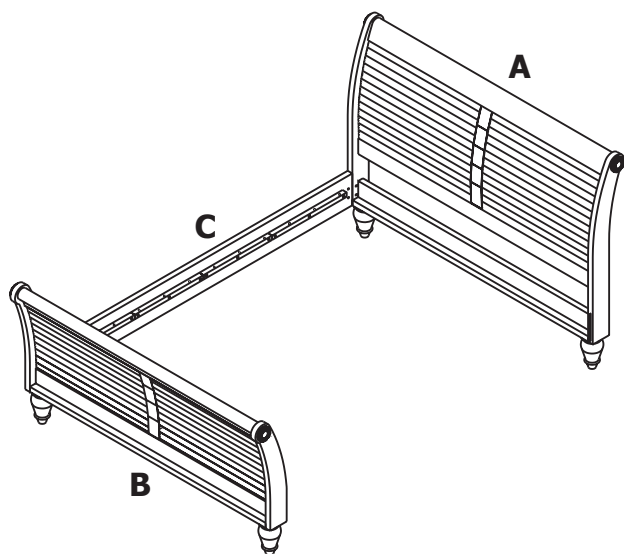
#### STEP 1 :

FIX ONE OF THE SIDERAIL (C) TO THE HEADBOARD (A) USING THE HOOK BRACKET (INSTALLED). SECURE THE SIDERAIL HOOKS BY PUSHING DOWN THE TOP OF THE SIDERAIL (C).

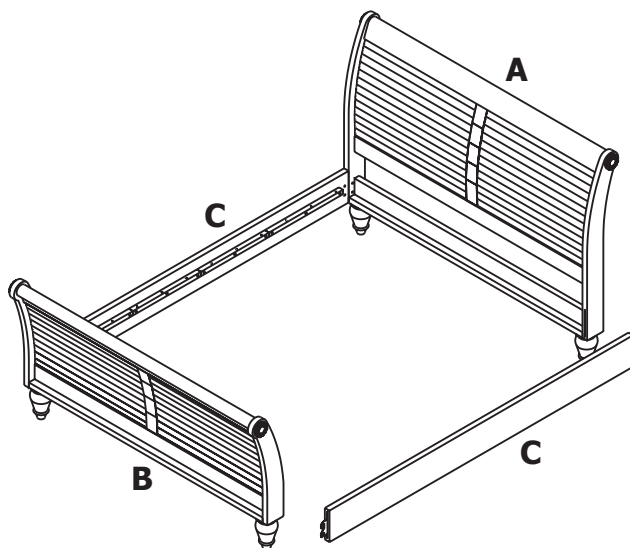


**STEP 2 :**

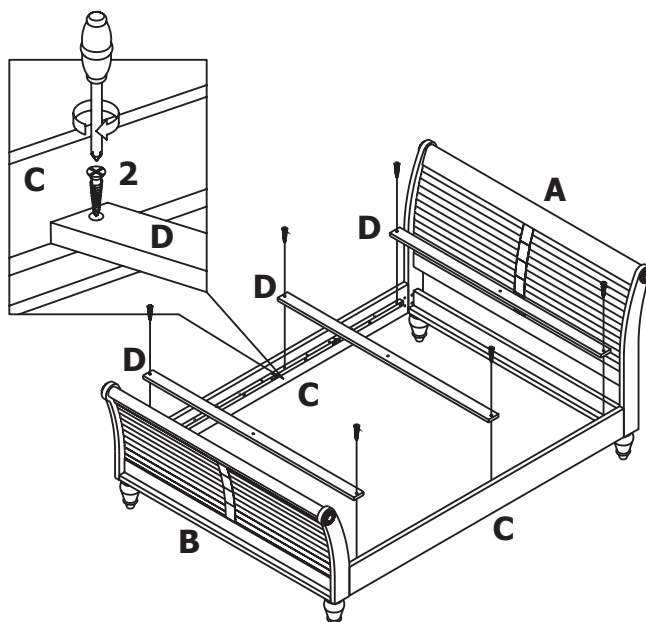
FIX THE OTHER END OF THE SIDERAIL (C) TO THE FOOTBOARD (B).

**STEP 3 :**

FIX THE OTHER SIDERAIL (C) TO THE HEADBOARD (A) AND FOOTBOARD (B).

**STEP 4 :**

FOLLOW THE ILLUSTRATION TO PLACE THREE SLATS (D) ON THE BED FRAME AND FIX THE SLATS (D) USING WOOD SCREWS (2). USE THE PILOT HOLES ON THE SIDERAILS (C) AS YOUR REFERENCE, FOR EASY ASSEMBLY.

**STEP 5 :**

FOLLOW THE ILLUSTRATION TO FIX THE LEG SUPPORT (E) TO SLATS (D) USING ALLEN BOLTS (1). USE ALLEN KEY (3) TO THREAD THE BOLTS.

