

# MARLOWE LP BED

## FULL/QUEEN SIZE

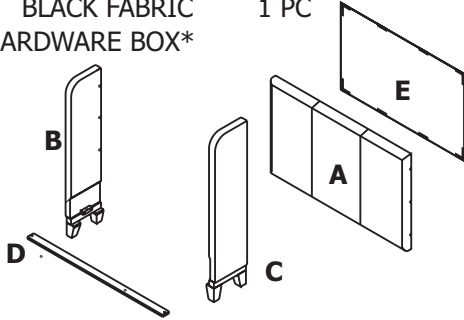
### ASSEMBLY INSTRUCTIONS



#### PARTS AND FITTING PACKAGING DETAIL

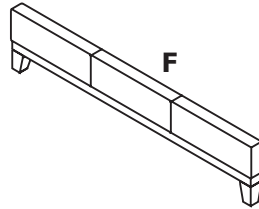
##### BOX #1

- A. HEADBOARD 1 PC
- B. LEFT WING 1 PC
- C. RIGHT WING 1 PC
- D. HEADBOARD SLAT 1 PC
- E. BLACK FABRIC 1 PC
- HARDWARE BOX\*



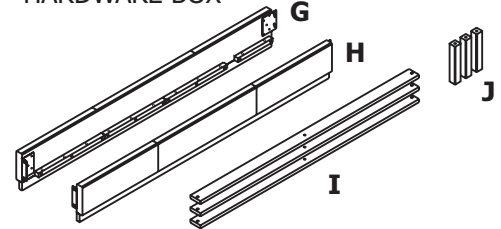
##### BOX #2

- F. FOOTBOARD 1 PC

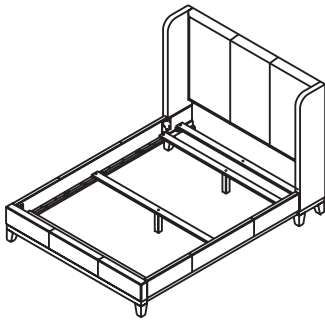


##### BOX #3

- G. LEFT SIDERAIL 1 PC
- H. RIGHT SIDERAIL 1 PC
- I. BED SLATS 3 PCS
- J. LEG SUPPORTS 3 PCS
- HARDWARE BOX\*\*

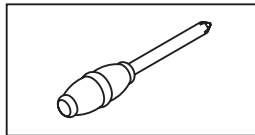


##### MARLOWE LP BED ASSEMBLED



##### TOOL REQUIRED :

PHILLIPS HEAD SCREW DRIVER (NOT PROVIDED)



**YOUR BOX  
MAY CONTAIN  
EXTRA  
HARDWARE**

##### HARDWARE\*\* PACKED IN BOX #3

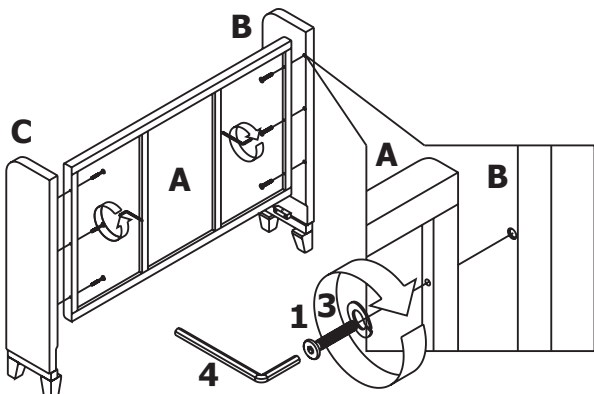
6	SPRING WASHERS 8MM	4 PCS	7	PHILLIPS HEAD BOLTS 20MM	8 PCS
8	WOOD SCREWS Ø8X30MM	6 PCS	9	ALLEN KEY	1 PC
10	ALLEN BOLTS 40MM	3 PCS	11	WASHERS 8MM	8 PCS

##### HARDWARE\* PACKED IN BOX #1

1	ALLEN BOLTS 60MM	6 PCS	2	WOOD SCREWS Ø8X30MM	2 PCS
3	SPRING WASHERS 6 MM	6 PCS	4	ALLEN KEY	1 PC

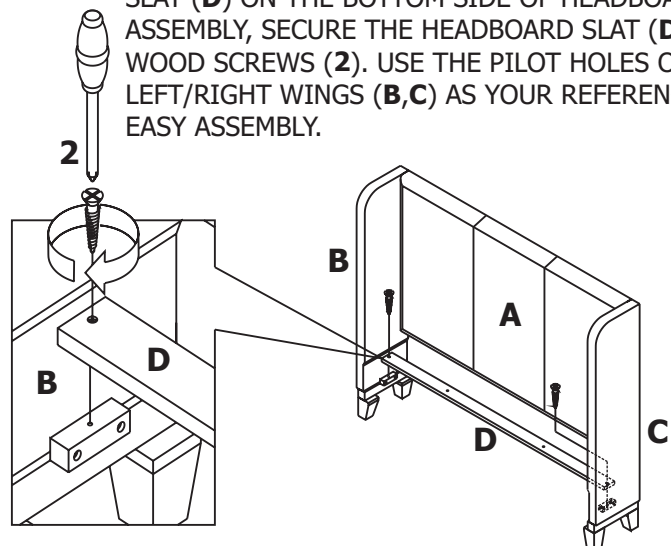
##### STEP 1 :

FIX LEFT WING (B) AND RIGHT WING (C) TO THE HEADBOARD (A). SLIDE IN ALLEN BOLTS 60MM (1) AND SPRING WASHER 6MM (3) FROM THE BACKSIDE OF HEADBOARD (A). USE ALLEN KEY (4) TO TIGHTEN THE BOLTS.



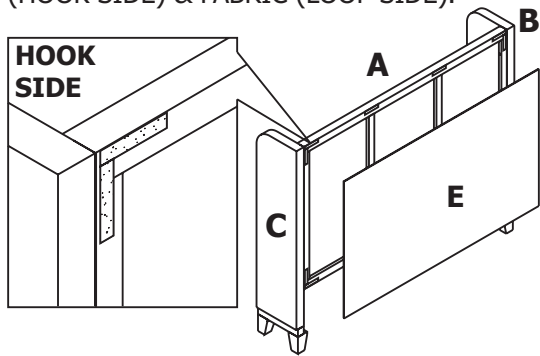
##### STEP 2 :

FOLLOW THE ILLUSTRATION TO PLACE HEADBOARD SLAT (D) ON THE BOTTOM SIDE OF HEADBOARD ASSEMBLY, SECURE THE HEADBOARD SLAT (D) USING WOOD SCREWS (2). USE THE PILOT HOLES ON LEFT/RIGHT WINGS (B,C) AS YOUR REFERENCE FOR EASY ASSEMBLY.



### STEP 3 :

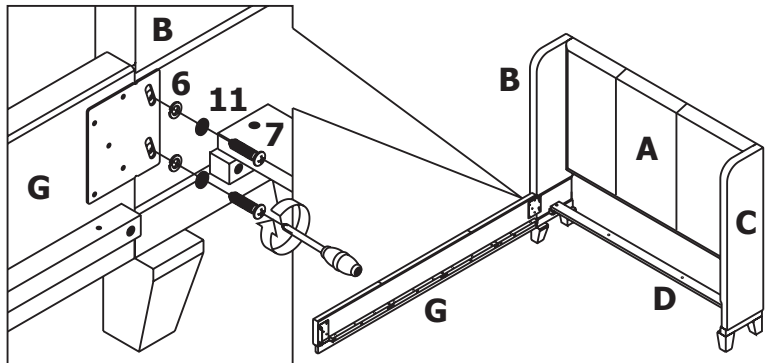
FOLLOW THE ILLUSTRATION BELOW TO ATTACH BLACK FABRIC (E) TO THE BACKSIDE OF HEADBOARD (A) USING VELCRO THAT ALREADY ATTACHED ON HEADBOARD (HOOK SIDE) & FABRIC (LOOP SIDE).



### STEP 4 :

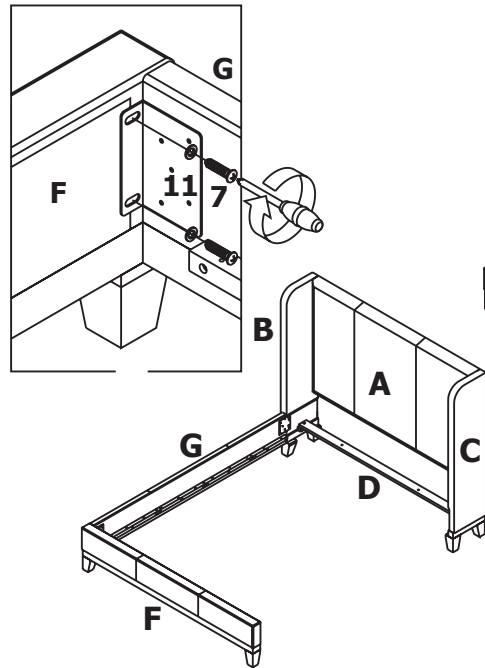
FIX LEFT SIDERAILS (G) TO THE LEFT WING (B) USING PHILLIPS HEAD BOLTS (7), WASHERS (11) AND SPRING WASHERS 8 MM (6).

DO NOT TIGHTEN BOLTS COMPLETELY UNTIL ASSEMBLY IS COMPLETED



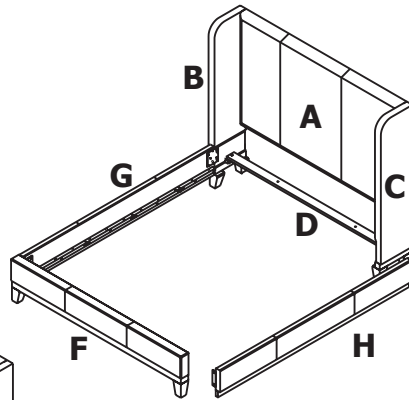
### STEP 5 :

FIX LEFT SIDERAILS (G) TO THE FOOTBOARD (D) USING PHILLIPS HEAD BOLTS (7), AND WASHERS (11).



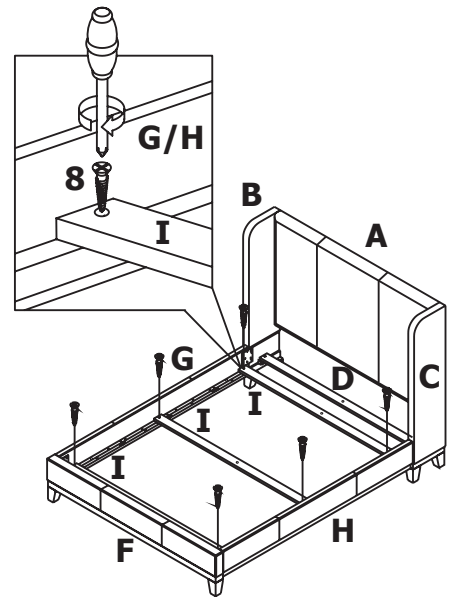
### STEP 6 :

FIX RIGHT SIDERAIL (H) TO THE RIGHT WING (C) AND FOOTBOARD (F).



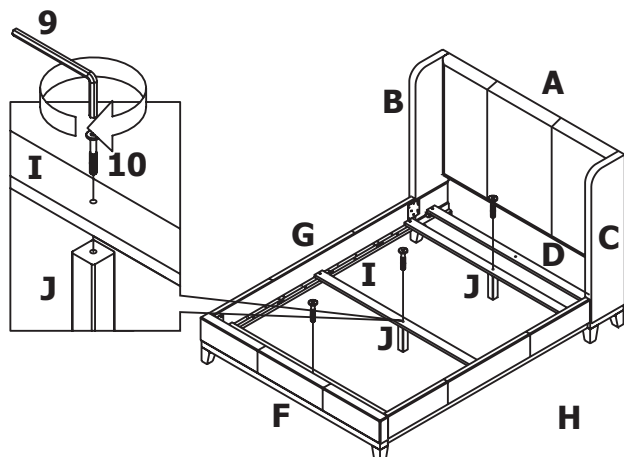
### STEP 7 :

FOLLOW THE ILLUSTRATION TO PLACE THREE BED SLATS (I) ON THE BED FRAME AND SECURE THE BED SLATS (I) USING WOOD SCREWS (8). USE THE PILOT HOLES ON THE SIDERAILS (G,H) AS YOUR REFERENCE FOR EASY ASSEMBLY.



### STEP 8 :

FOLLOW THE ILLUSTRATION TO FIX THE LEG SUPPORTS (J) TO BED SLATS (I) USING ALLEN BOLTS (10). USE ALLEN KEY (9) TO TIGHTEN THE BOLTS. MAKE SURE ALL BOLTS AND SCREWS ARE TIGHTENED BEFORE USING.



### INSTRUCTIONS FOR ADJUSTING LEVELERS:

THE LEVELERS ARE LOCATED ON THE UNDERSIDE OF EACH OF THE LEG SUPPORTS. PLEASE ADJUST THE LEVELERS BY FOLLOWING THESE INSTRUCTIONS.

- 1 MAKE SURE THE LEVELERS ARE FLUSH WITH THE BOTTOM EDGE OF THE POSTS
- 2 ADJUST THE LEVELERS BY TURNING UNTIL THE LEG SUPPORTS MATCH EACH OTHER IN HEIGHT

