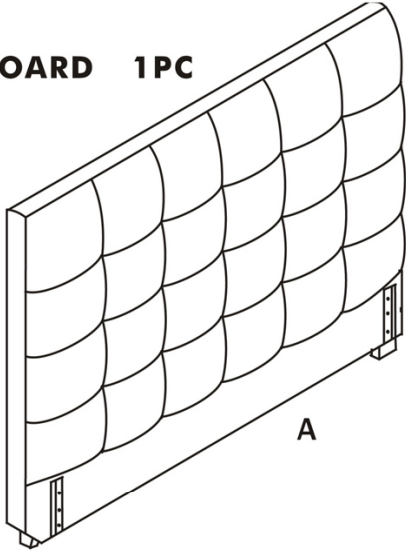


Hawthorne Bed CK / EK SIZE ASSEMBLY INSTRUCTIONS

Please remove the protection board from the headboard before assembling

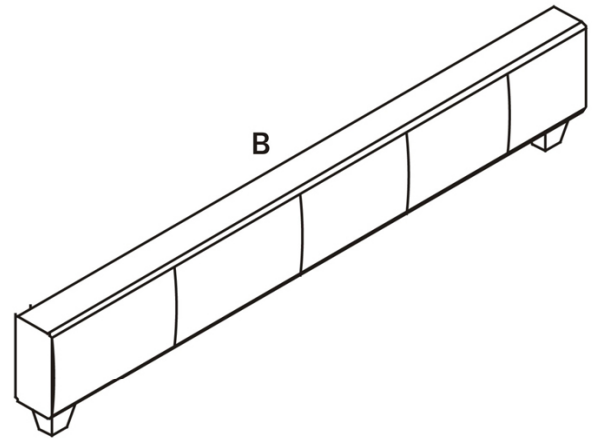
BOX #1

A. HEAD BOARD 1PC



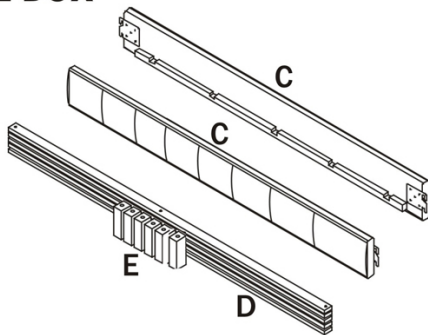
BOX #2

B. FOOT BOARD 1PC



BOX #3

C. SIDE RAILS 2PCS
D. BED SLATS 6PCS
E. LEG SUPPORT 6PCS
HARDWARE BOX

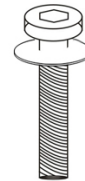


HARDWARE PACKED IN BOX#3

1. WOOD SCREW 12PCS
Φ8MM*40MM



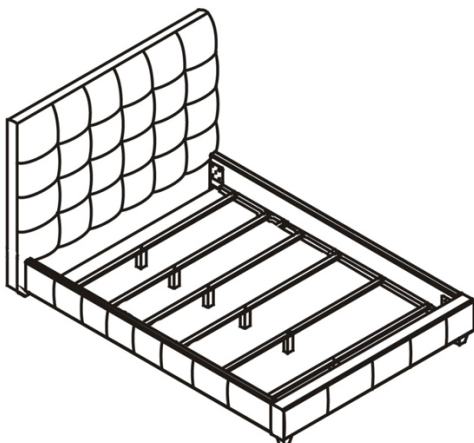
2. ALLEN BOLT 6PCS
5/16*2



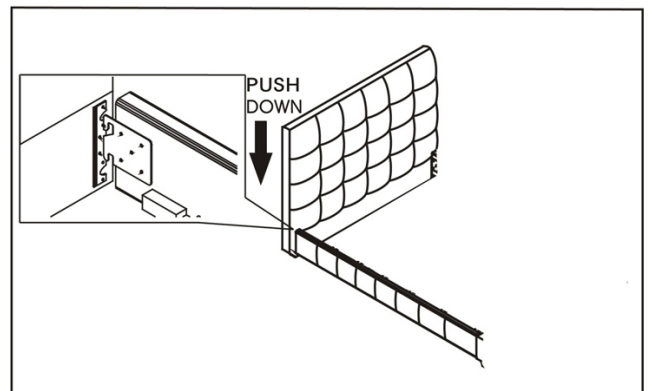
3. ALLEN KEY 1PC



Assembled bed

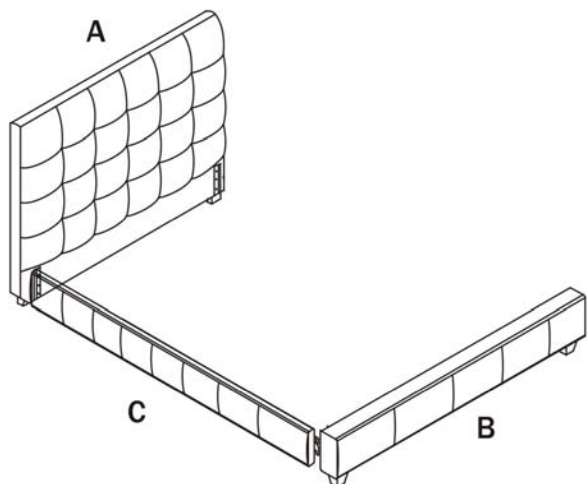


STEP1: FIX ONE OF THE SIDERAILS(C) TO THE HEADBOARD(A) BY SLIDING IN THE HOOK INSTALLED AT THE END OF THE SIDERAIL (C) TO THE HEADBOARD (A) AND PUSH THE SIDERAIL (C) DOWN TO SECURE THE CONNECTION.



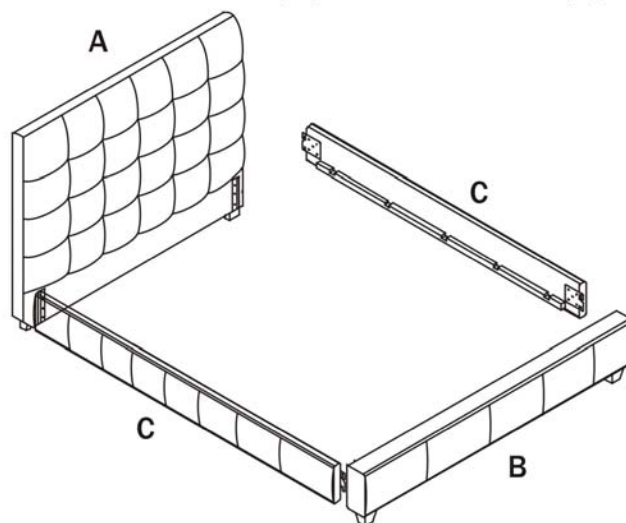
STEP 2:

FIX THE OTHER END OF THE SIDERAIL (C) TO THE FOOT BOARD (B)



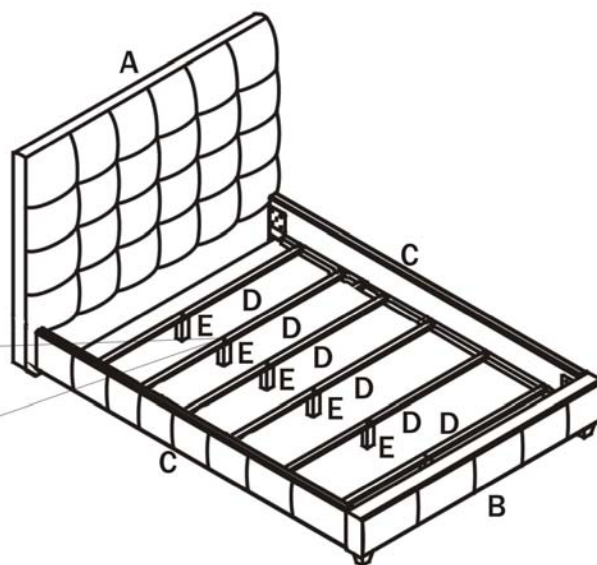
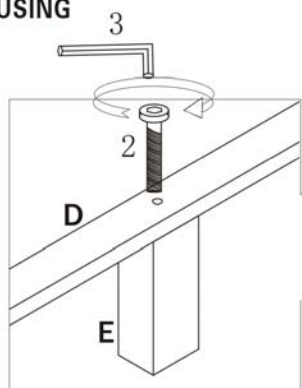
STEP 3:

FIX THE OTHER SIDERAIL (C) TO THE HEAD BOARD (A) AND FOOT BOARD (B)

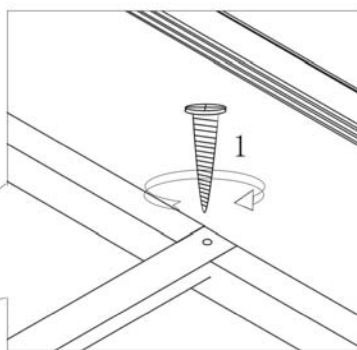
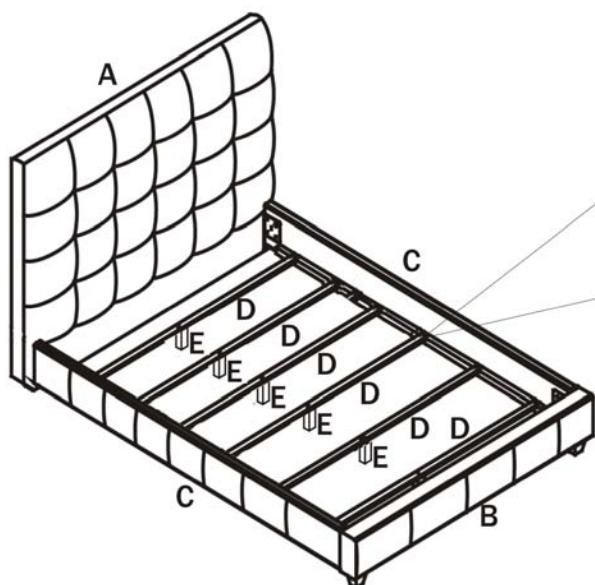


STEP 4:

FOLLOW THE ILLUSTRATION TO FIX THE LEG SUPPORT (E) TO BED SLATS (D) USING ALLEN BOLTS (2). USE ALLEN KEY (3) TO TIGHTEN THE BOLTS. MAKE SURE ALL BOLTS AND SCREWS ARE TIGHTENED BEFORE USING



STEP 5:



FOLLOW THE ILLUSTRATION TO PLACE THREE BED SLATS (D) ON THE BED FRAME AND SECURE THE BED SLATS (D) USING WOOD SCREWS (1). USE THE PILOT HOLES ON THE SIDERAILS (C) AS YOUR REFERENCE FOR EASY ASSEMBLY