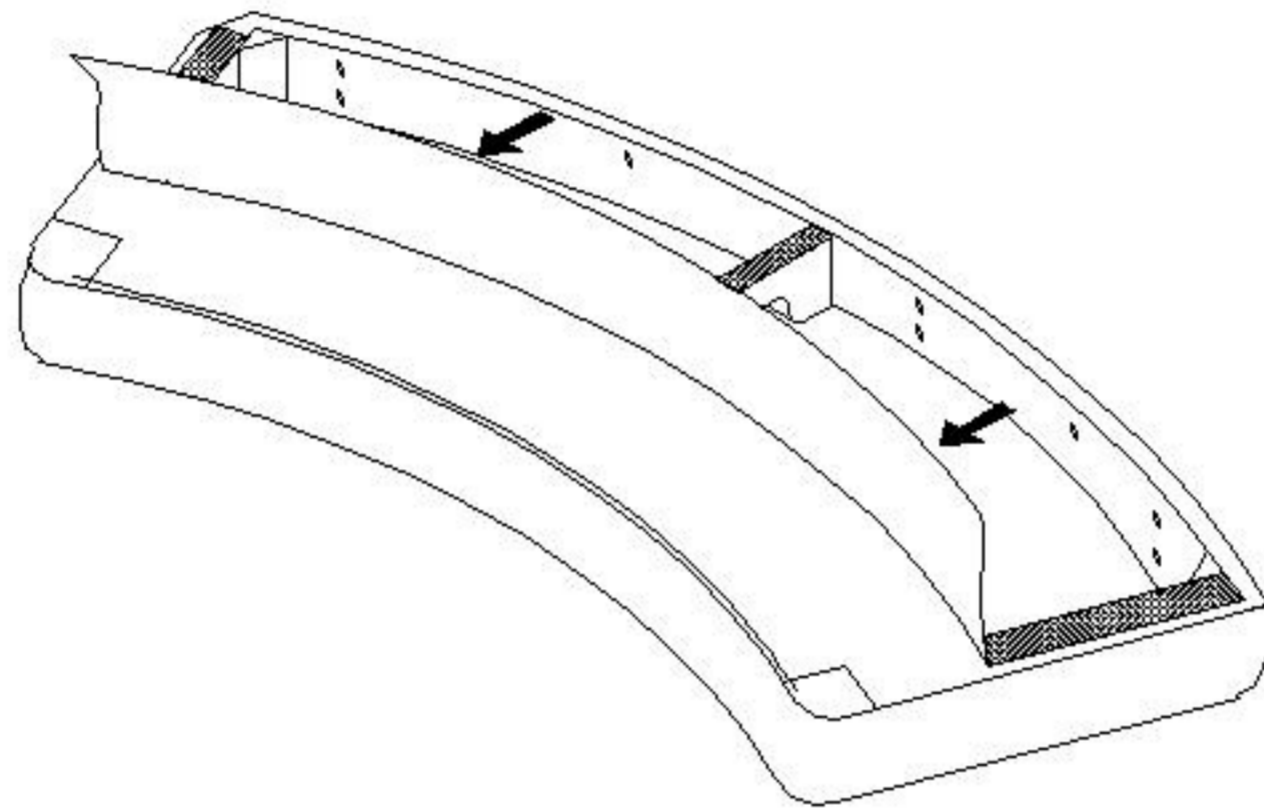


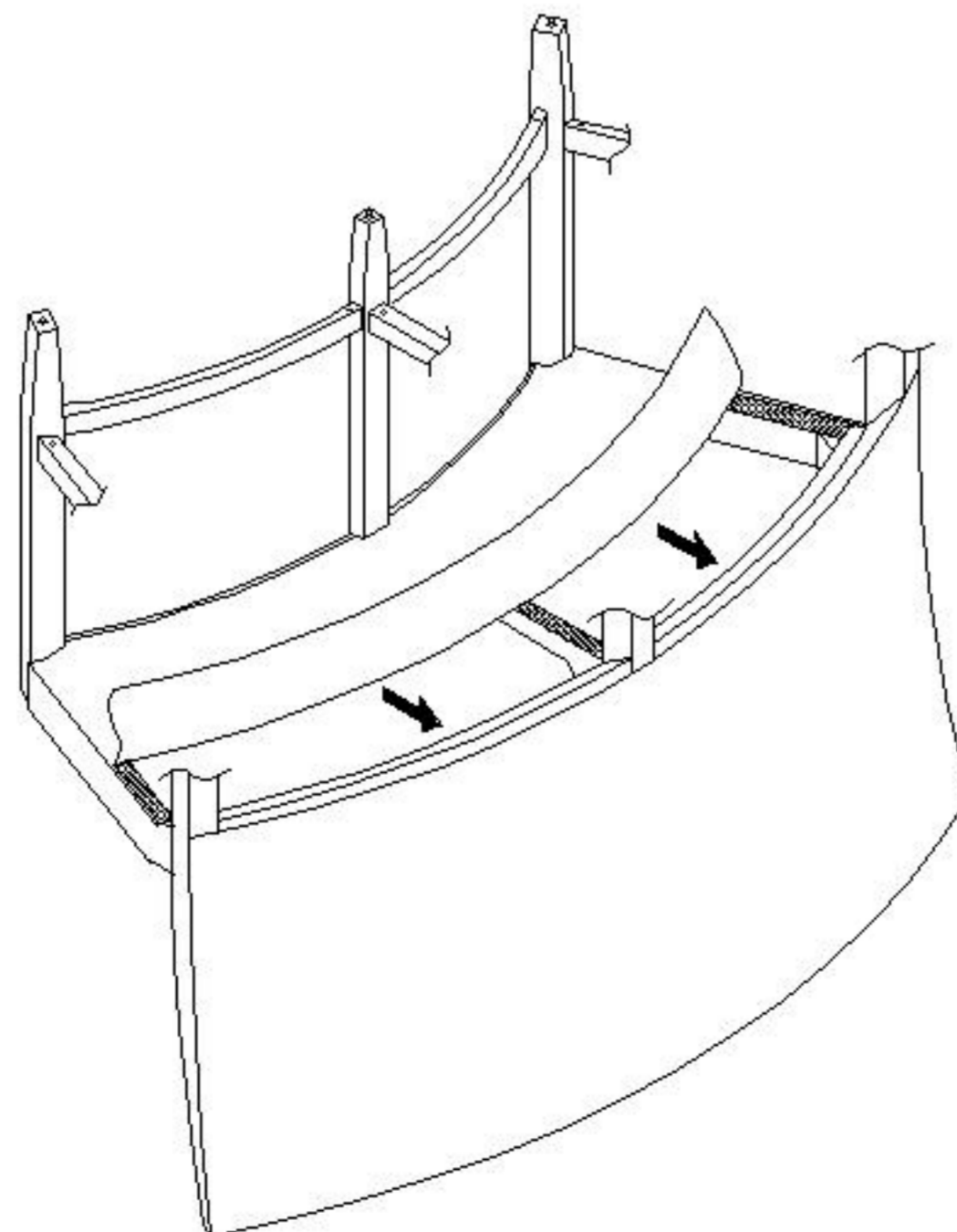
ASSEMBLY INSTRUCTION

***DO NOT TIGHTEN SCREWS UNTIL COMPLETELY ASSEMBLED**

ATTENTION : BEFORE ASSEMBLING THE CHAIR, PULL THE FABRIC OUT FROM THE BOTTOM OF SEAT FRAME FIRSTLY . (PLEASE NOT PULL FORCIBLY IN CASE OF THE FABRIC BEING TORN)



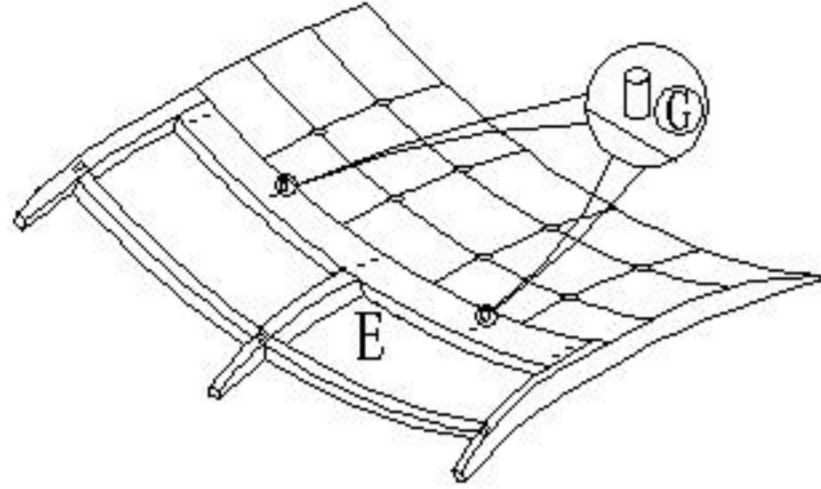
AFTER ASSEMBLING CHAIR, LINE UP THE FABRIC ON THE BOTTOM OF SEAT FRAME , AND STICK IT ON .



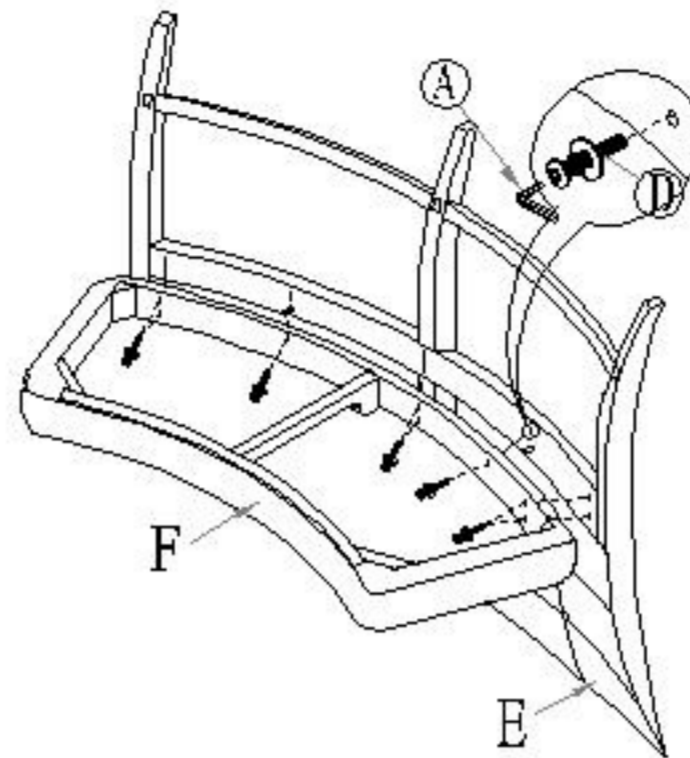
ASSEMBLY INSTRUCTION

***DO NOT TIGHTEN SCREWS UNTIL COMPLETELY ASSEMBLED**

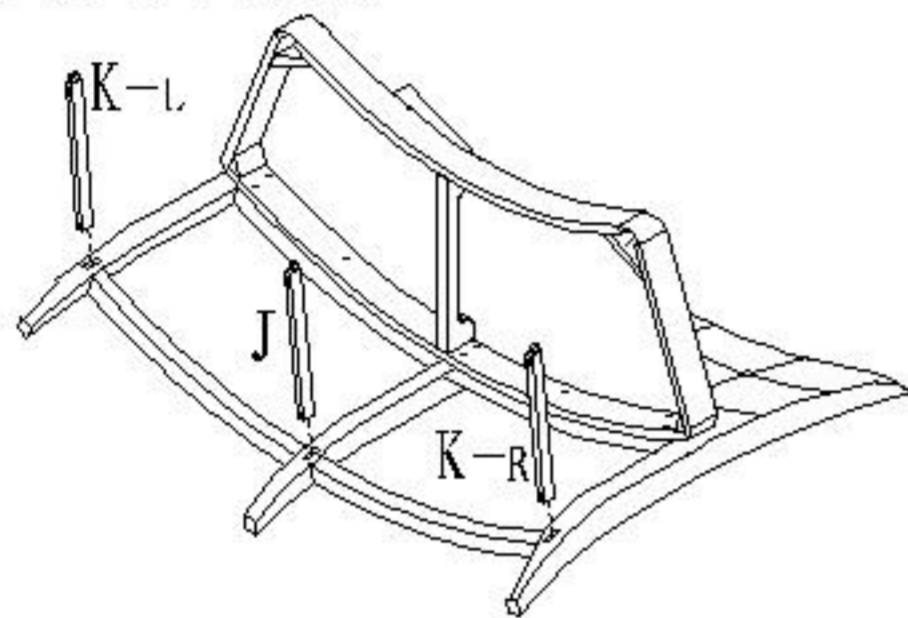
STEP1: AS PICTURE, INSERT THE WOOD DOWEL (G) INSIDE CHAIR BACK (E).



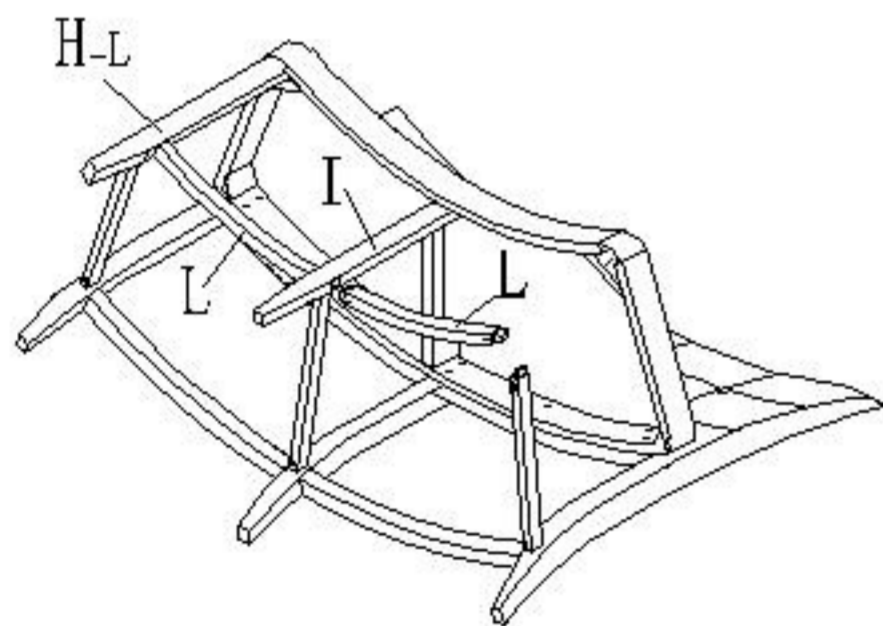
STEP 2: PUT THE SEAT FRAME TO THE CHAIR BACK WITH HOLES TO HOLES, THEN SCREW THE BOLTS (D) INSIDE THE HOLES BY (A/D).



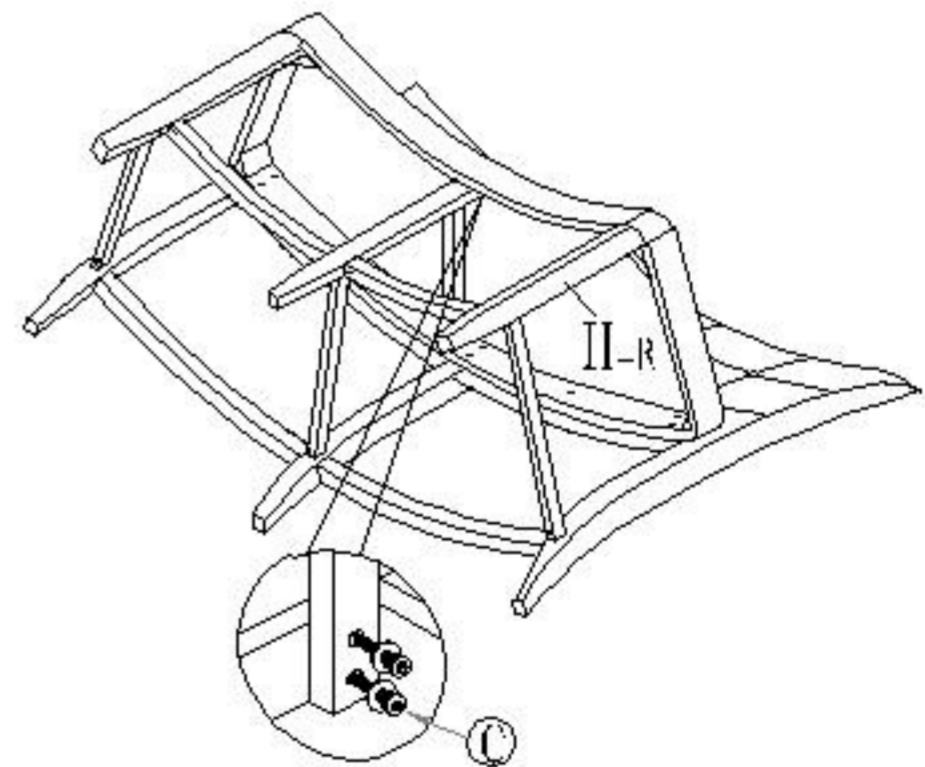
STEP 3. PUT DOWN THE CHAIR , INSERT THE LEFT/RIGHT/CENTER STRECHERS (K-L/K-R/J) INSIDE THE BACK LEGS' HOLES RESPECTIVELY WITH ONE END SIDES.



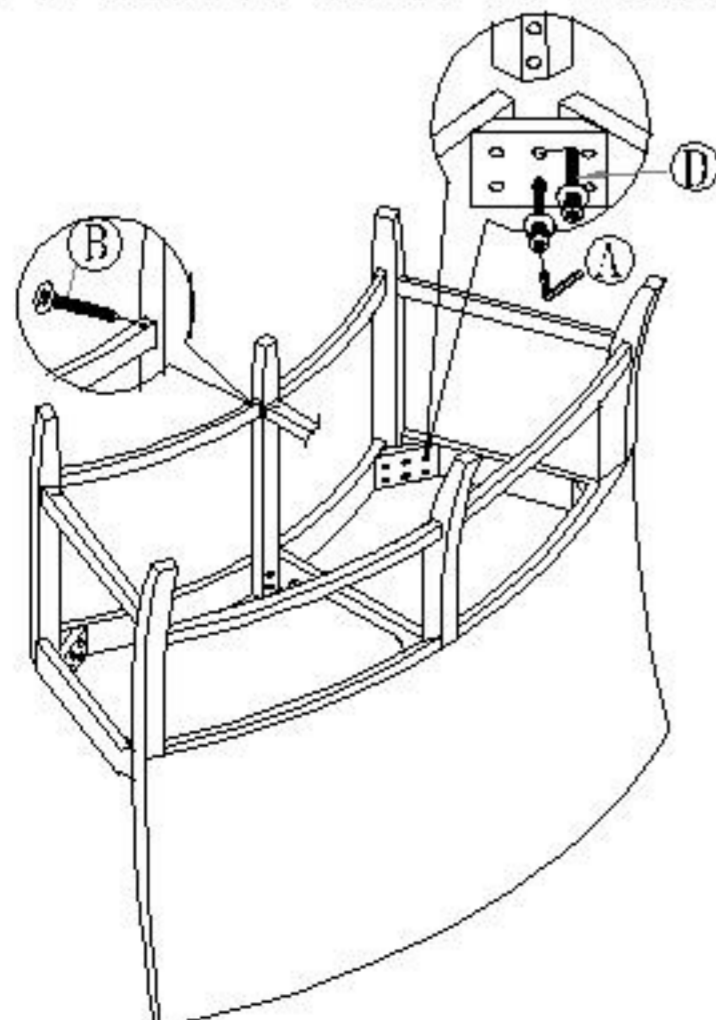
STEP4: PUT FRONT LEFT/CENTER LEGS (H-L) & (I) INSIDE THE HOLE OF SEAT FRAME BY C/D/E, THEN, INSERT THE FRONT STRETCHER (L), LEFT STRETCHER & CENTER STRETCHER (WITH THE OTHER END SIDES) INSIDE THE HOLE OF FRONT LEFT/CENTER LEGS.



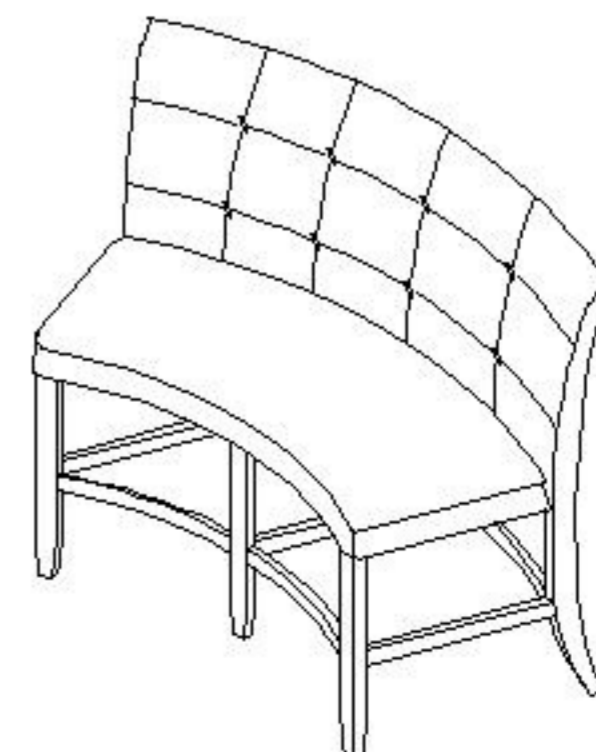
STEP5: PUT THE OTHER FRONT RIGHT LEG (II-R) INSIDE THE HOLE OF SEAT FRAME BY A/C, THEN INSERT THE RIGHT STRETCHER & CENTER STRETCHER (WITH THE OTHER END SIDES) INSIDE THE HOLE OF FRONT RIGHT LEG (II-R).



STEP6: SCREW TIGHTLY THREE OF FRONT LEGS (II) INSIDE SEAT FRAME BY A/D . THEN, SCREW ALL THE OTHER END SIDES OF LEFT, RIGHT, CENTER STRECHERS INSIDE THE HOLES OF LEGS BY SCREW (B) TIGHTLY.



STEP7: PUT THE CHAIR UP.



NO	DESCRIPTION	QTY
A	ALLEN WRENCH $\frac{3}{16}$ "	1PC
B	SCREW 1-1/2"	10PCS
C	BOLT $\frac{3}{16}$ "*1-1/2"	2PCS
D	BOLT $\frac{3}{16}$ "*2"	12PCS
E	CHAIR BACK	1PC
F	SEAT FRAME	1PC
G	WOOD DOWEL $\phi 10 \times 100$ mm	2PCS
H-L	FRONT LEFT LEG	1PC
H-R	FRONT RIGHT LEG	1PC
I	FRONT CENTER LEG	1PC
J	CENTER STRETCHER	1PC
K-L	LEFT STRETCHER	1PC
K-R	RIGHT STRETCHER	1PC
L	FRONT STRETCHER	2PCS