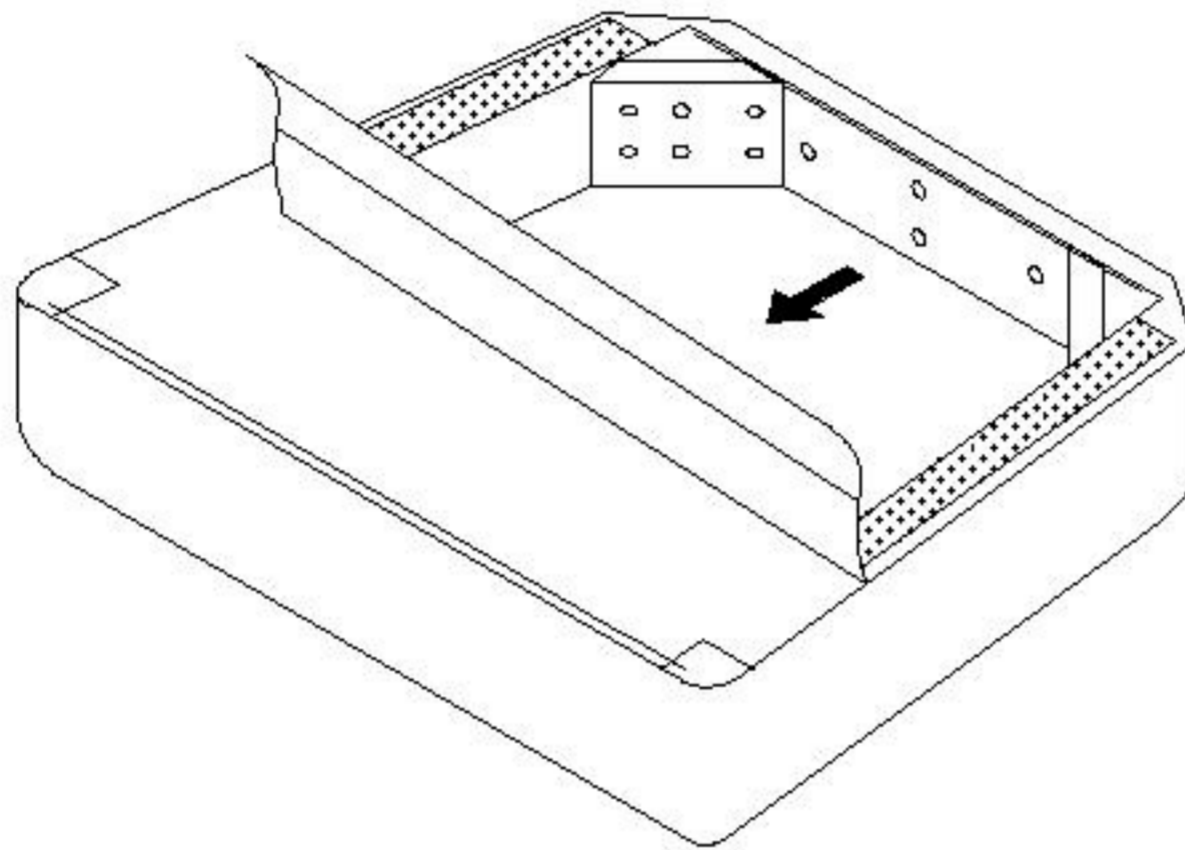


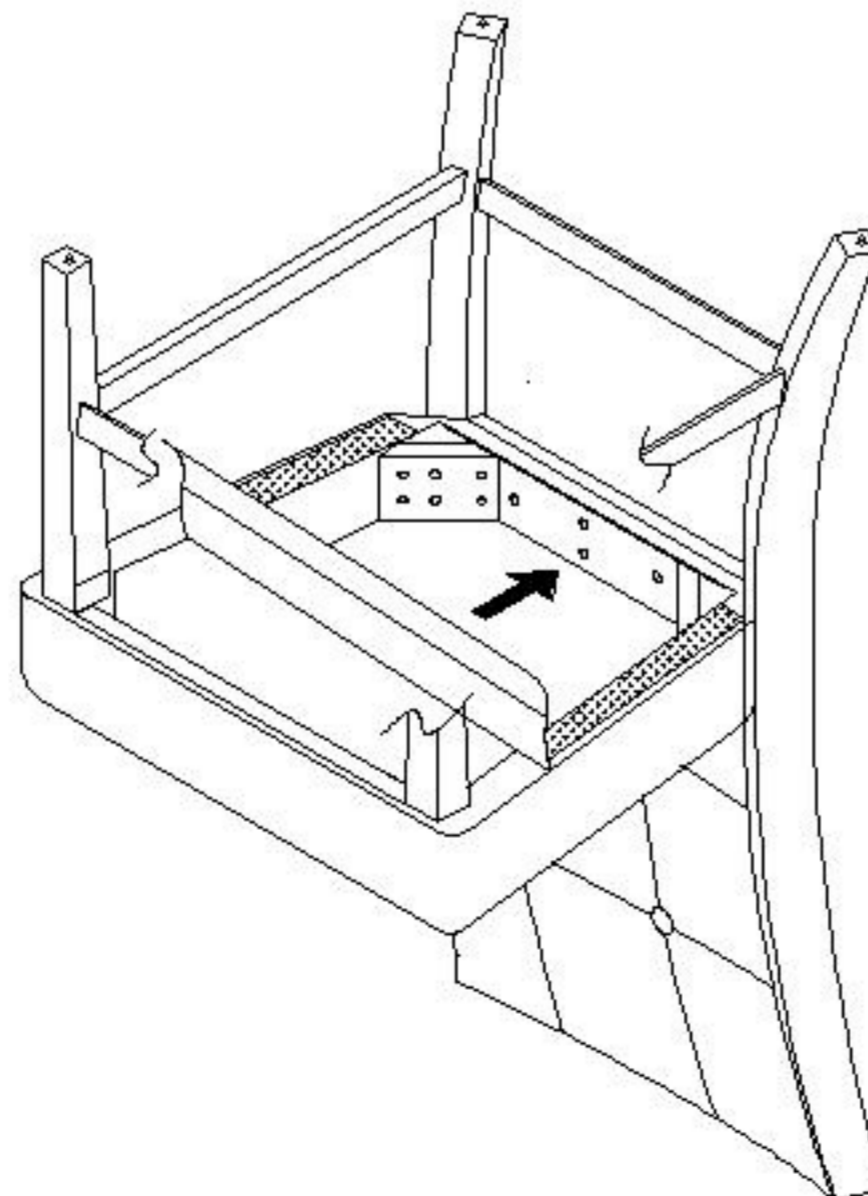
# ASSEMBLY INSTRUCTION

**\*DO NOT TIGHTEN SCREWS UNTIL COMPLETELY ASSEMBLED**

ATTENTION : BEFORE ASSEMBLING THE CHAIR, PULL THE FABRIC OUT FROM THE BOTTOM OF SEAT FRAME FIRSTLY . ( PLEASE NOT PULL FORCIBLY IN CASE OF THE FABRIC BEING TORN )



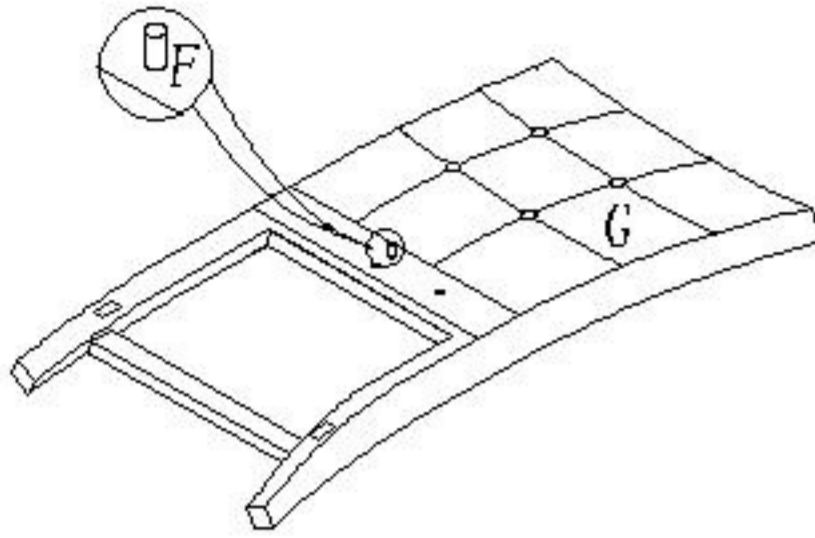
AFTER ASSEMBLING CHAIR, LINE UP THE FABRIC ON THE BOTTOM OF SEAT FRAME , AND STICK IT ON .



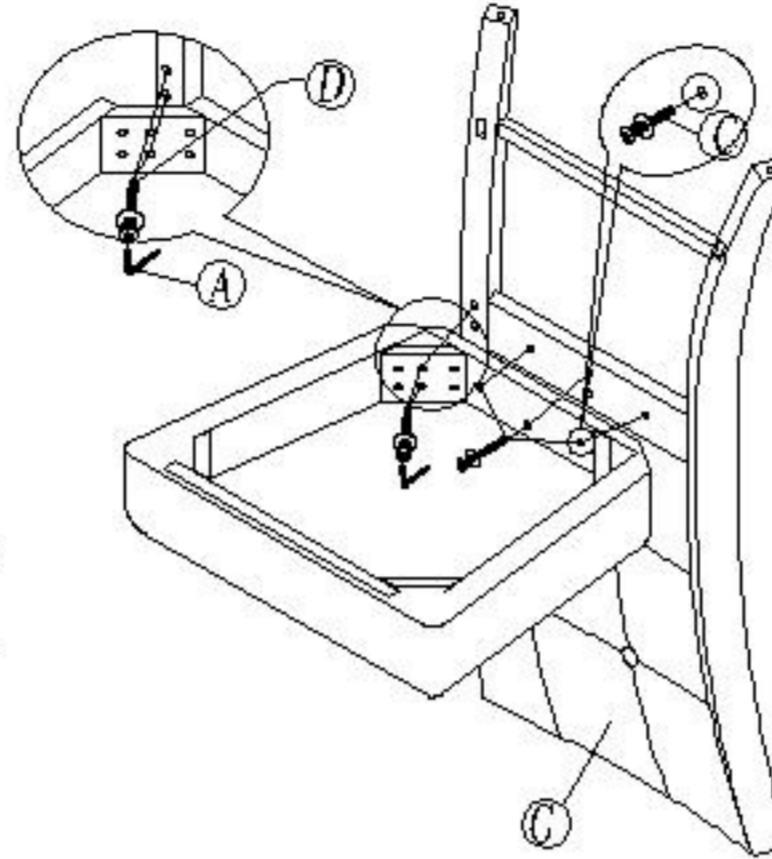
# ASSEMBLY INSTRUCTION

**\*DO NOT TIGHTEN SCREWS UNTIL COMPLETELY ASSEMBLED**

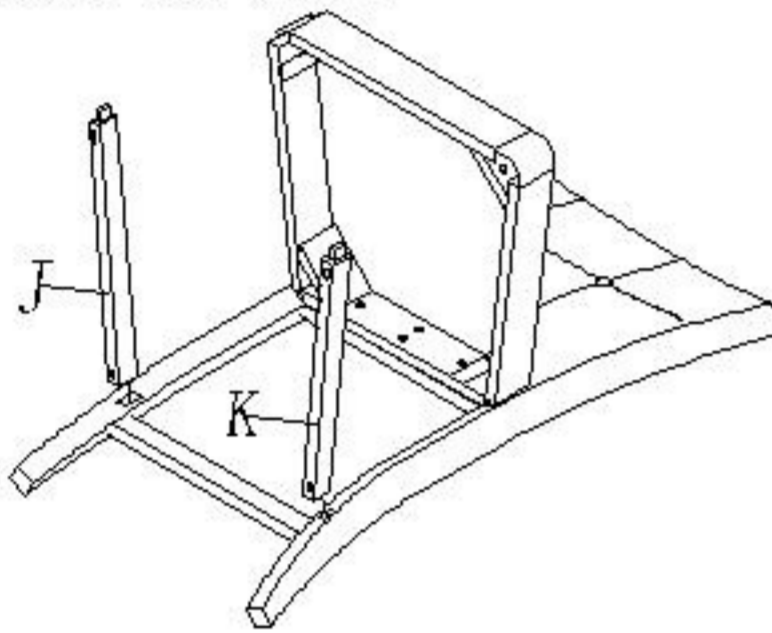
STEP1: AS PICTURE, INSERT THE WOOD DOWEL (F) INSIDE CHAIR BACK (G).



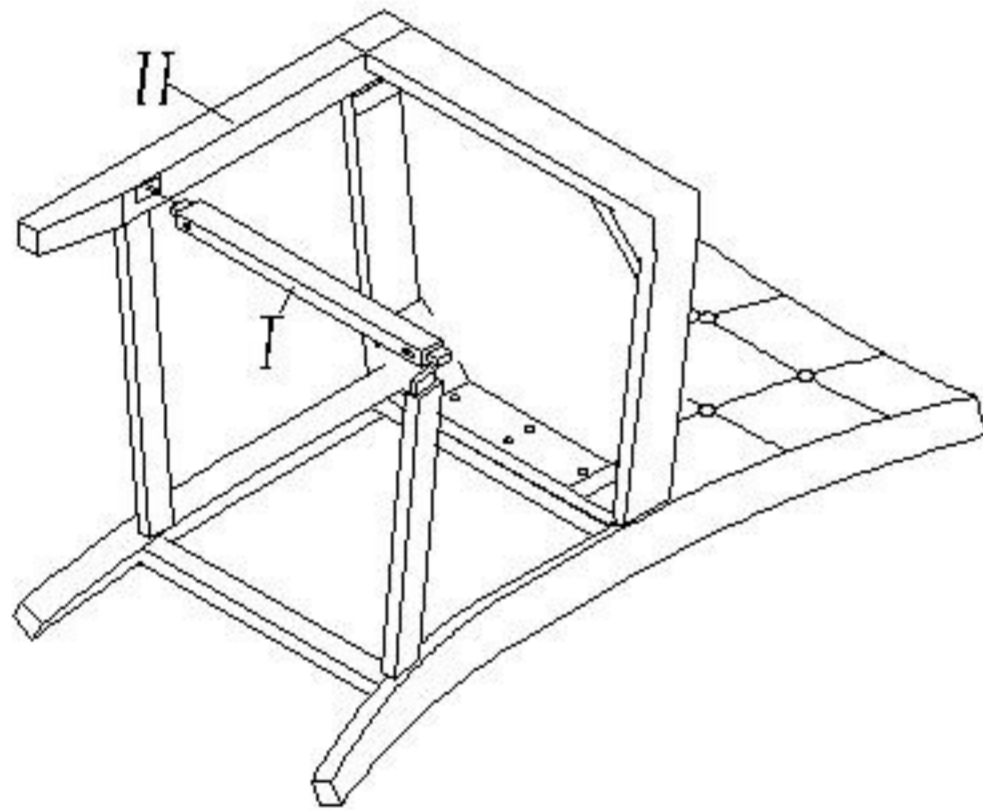
STEP 2: PUT THE SEAT FRAME TO THE CHAIR BACK WITH HOLES TO HOLES, THEN SCREW THE BOLTS (D) INSIDE THE CENTER BLOCK, BOLTS (C) INSIDE THE CENTER HOLES BY (A/C/D).



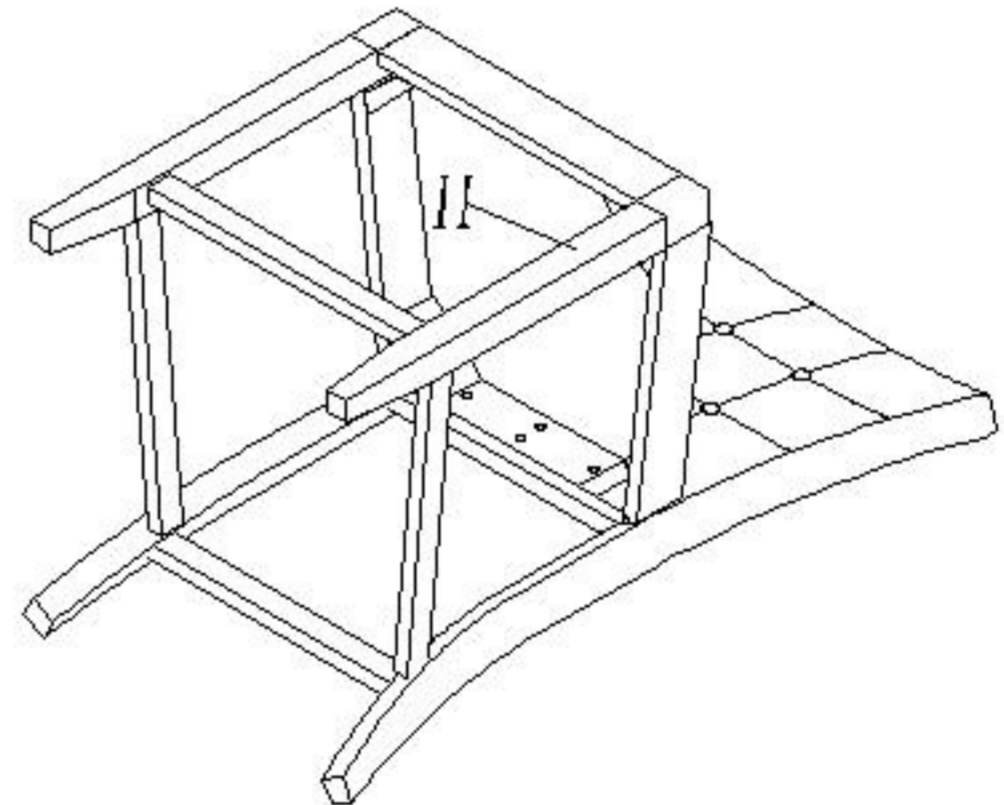
STEP 3. PUT DOWN THE CHAIR, INSERT THE LEFT AND RIGHT STRECHERS INSIDE THE HOLES OF CHAIR BACK LEGS RESPECTIVELY WITH ONE END SIDE.



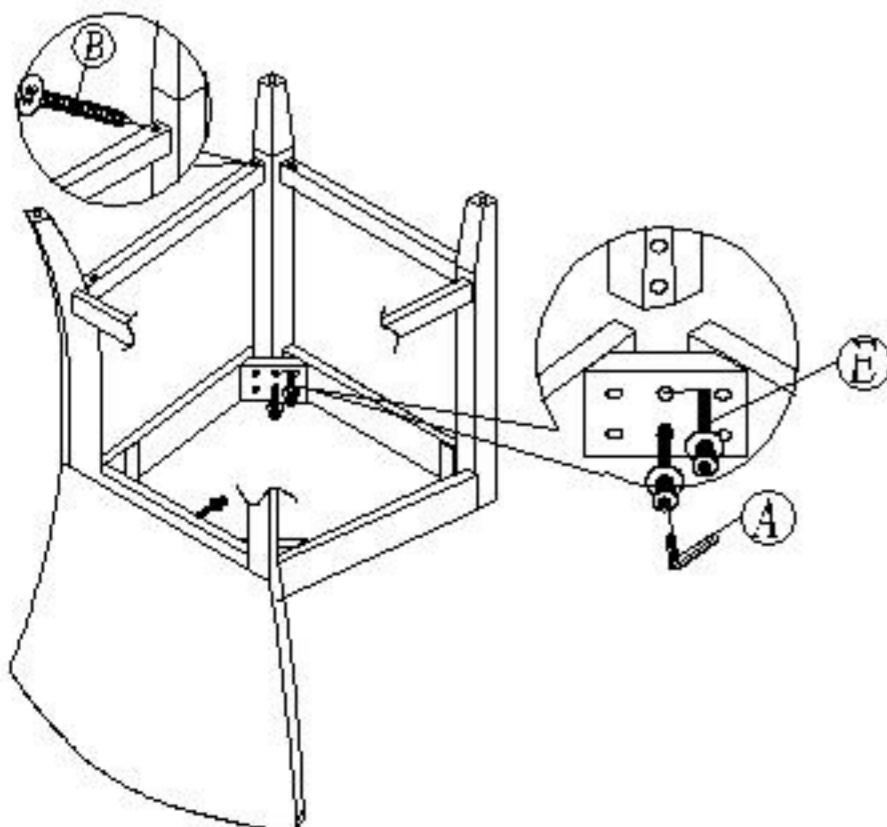
STEP4: PUT ONE OF FRONT LEG (H) INSIDE THE HOLE OF SEAT FRAME, THEN, INSERT THE FRONT STRETCHER INSIDE OF THE HOLE OF FRONT LEG.



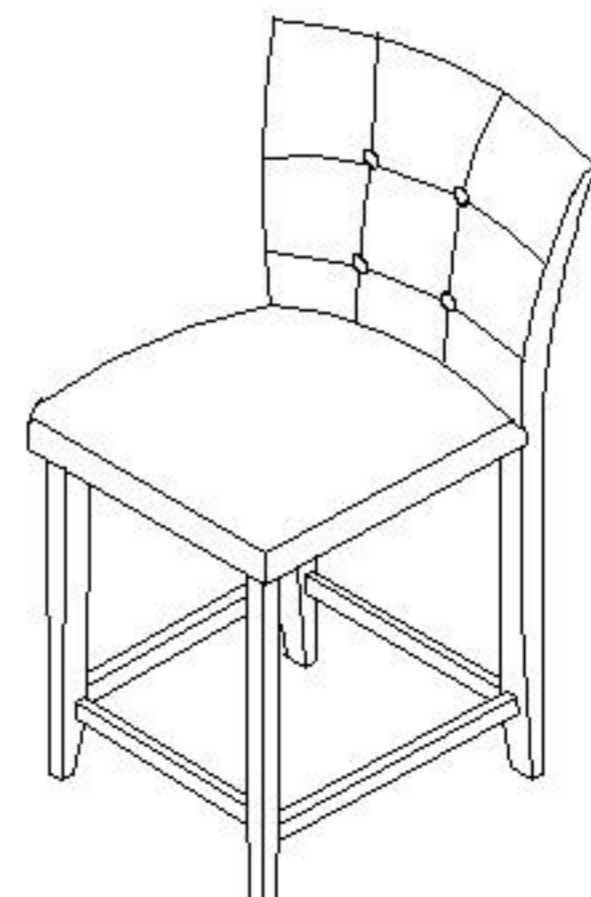
STEP5: PUT THE OTHER FRONT LEG INSIDE THE HOLE OF SEAT FRAME.



STEP6: SCREW TWO OF FRONT LEGS (H) INSIDE SEAT FRAME BY A/B TIGHTLY. THEN, SCREW ALL THE OTHER END SIDES OF LEFT, RIGHT, FRONT STRECHERS INSIDE THE HOLES OF LEGS BY SCREW (B) TIGHTLY.



STEP7: PUT THE CHAIR UP.



NO	DESCRIPTION	QTY
A	ANGLE WRENCH $\approx \frac{5}{16}$ "	1PC
B	SCREW 1-1/2"	6PCS
C	BOLT $\approx \frac{5}{16}$ " $\times$ 2"	3PCS
D	BOLT $\approx \frac{5}{16}$ " $\times$ 1/2"	4PCS
E	BOLT $\approx \frac{3}{8}$ " $\times$ 1/4"	4PCS
F	WOOD DOWEL $\approx 10 \times 40$ mm	1PC
G	CHAIR BACK	1PC
H	FRONT LEG	2PCS
I	FRONT STRETCHER	1PC
J	LEFT STRETCHER	1PC
K	RIGHT STRETCHER	1PC
L	SEAT FRAME	1PC