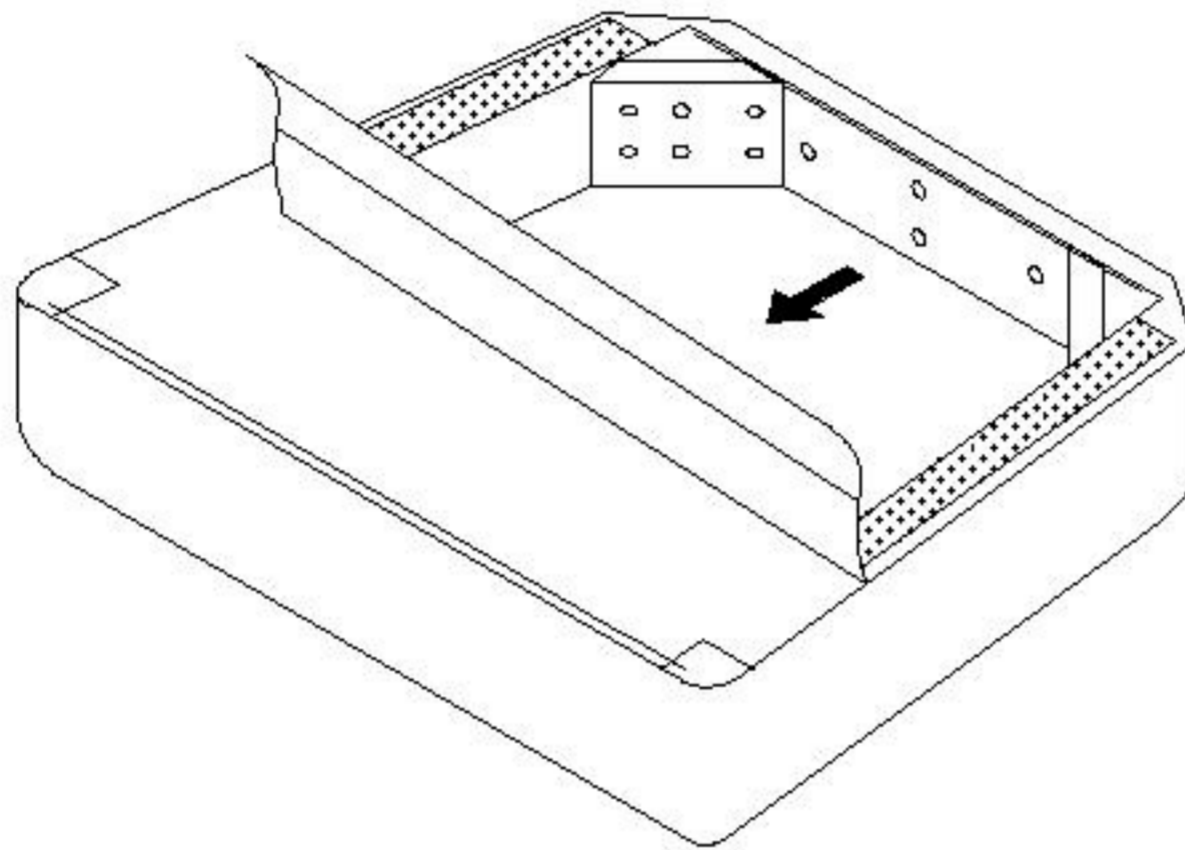


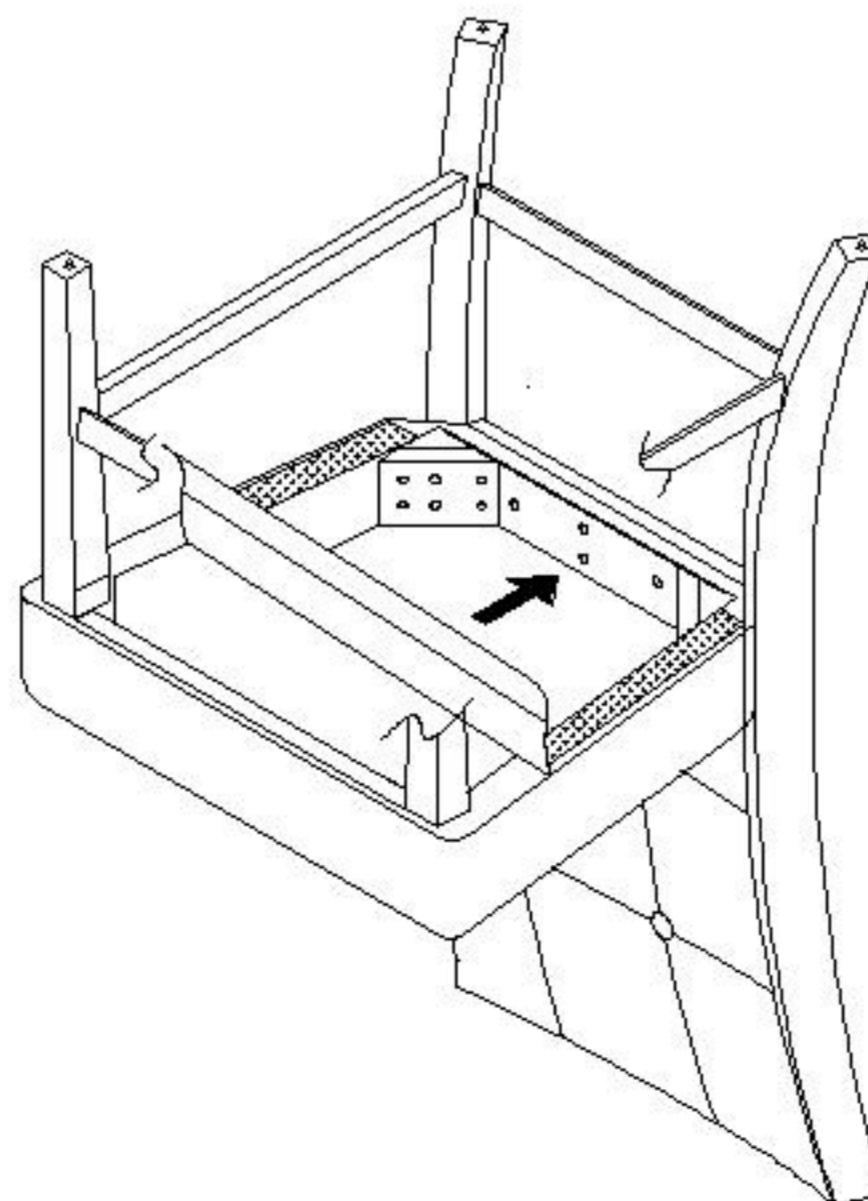
ASSEMBLY INSTRUCTION

***DO NOT TIGHTEN SCREWS UNTIL COMPLETELY ASSEMBLED**

ATTENTION : BEFORE ASSEMBLING THE CHAIR, PULL THE FABRIC OUT FROM THE BOTTOM OF SEAT FRAME FIRSTLY . (PLEASE NOT PULL FORCIBLY IN CASE OF THE FABRIC BEING TORN)



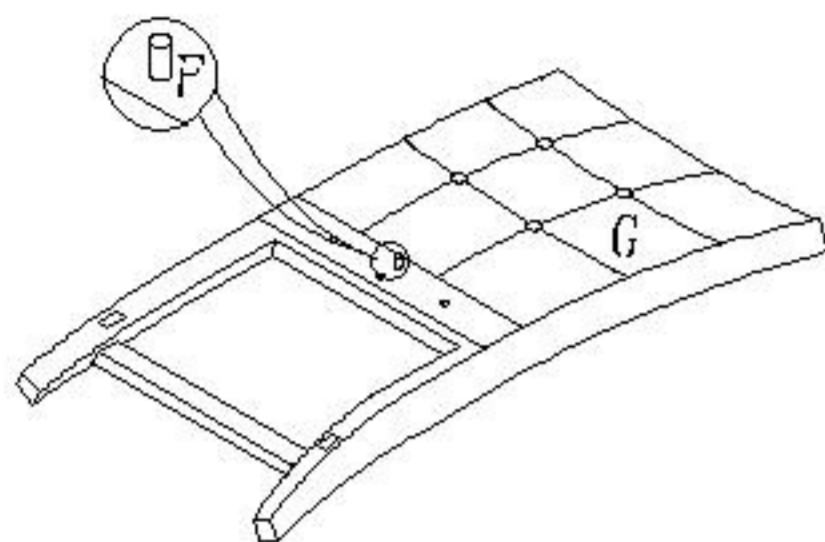
AFTER ASSEMBLING CHAIR, LINE UP THE FABRIC ON THE BOTTOM OF SEAT FRAME , AND STICK IT ON .



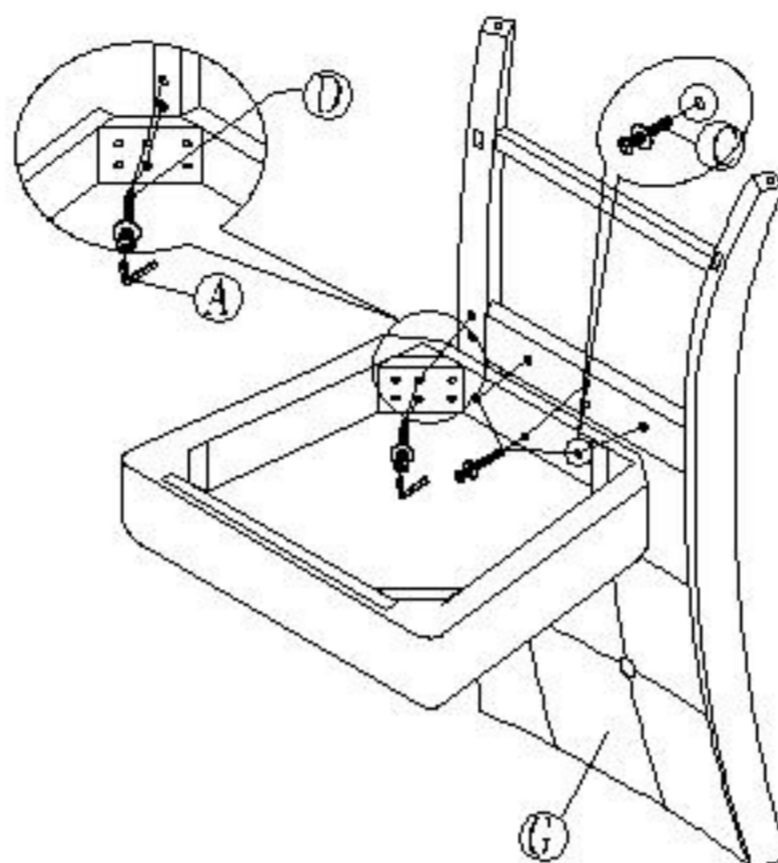
ASSEMBLY INSTRUCTION

***DO NOT TIGHTEN SCREWS UNTIL COMPLETELY ASSEMBLED**

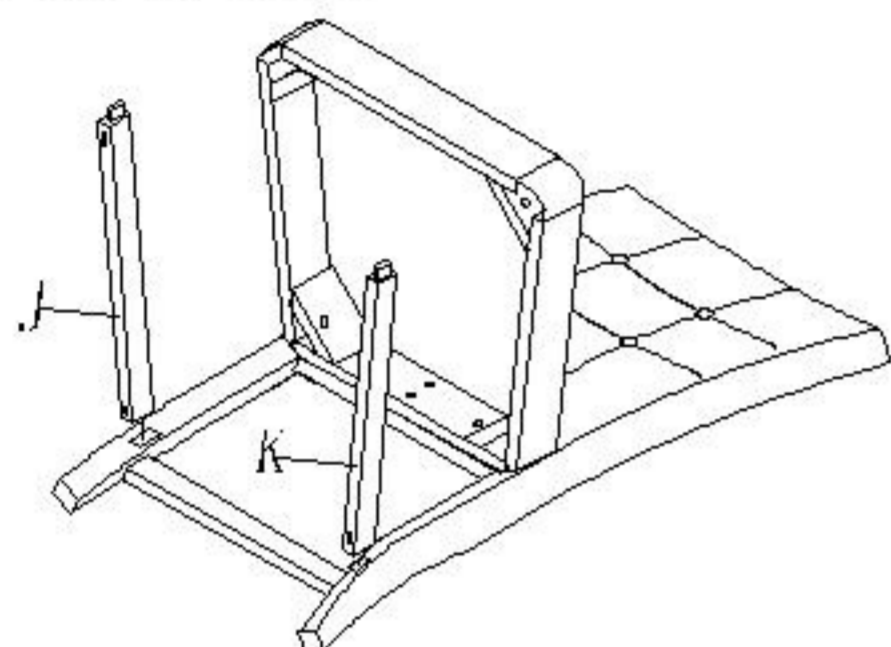
STEP1: AS PICTURE, INSERT THE WOOD DOWEL (F) INSIDE CHAIR BACK (G).



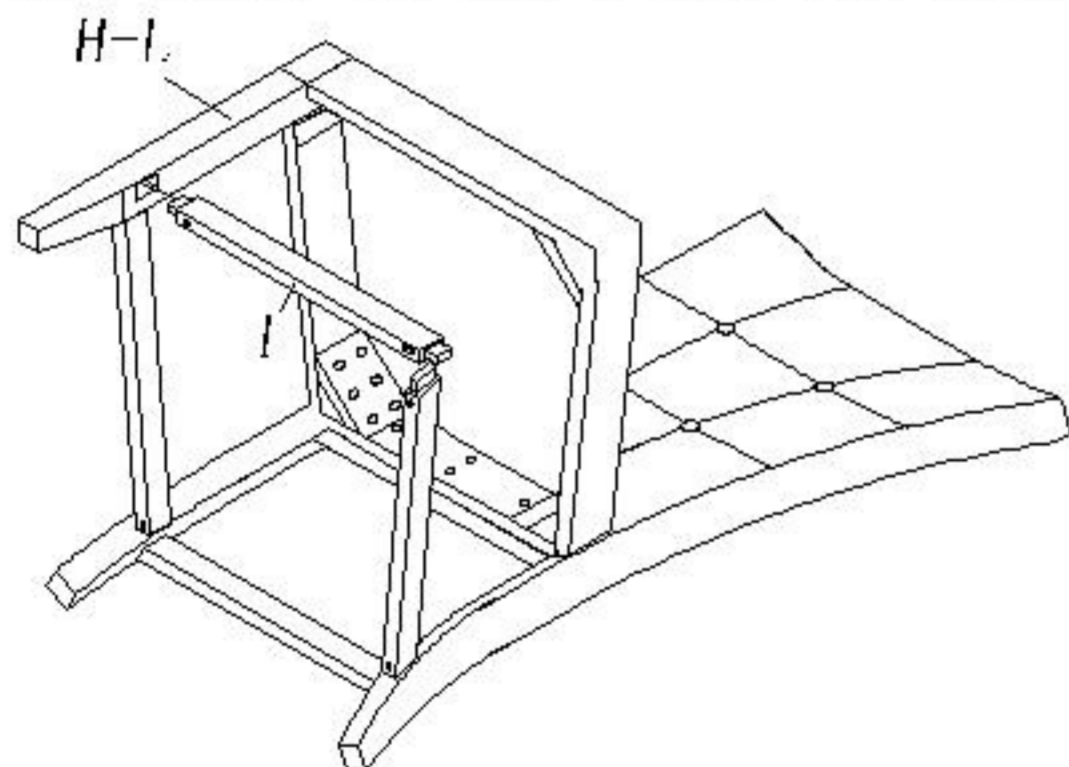
STEP 2: PUT THE SEAT FRAME TO THE CHAIR BACK WITH HOLES TO HOLES, THEN SCREW THE BOLTS (D) INSIDE THE CENTER BLOCK, BOLTS (C) INSIDE THE CENTER HOLES BY (A/C/D).



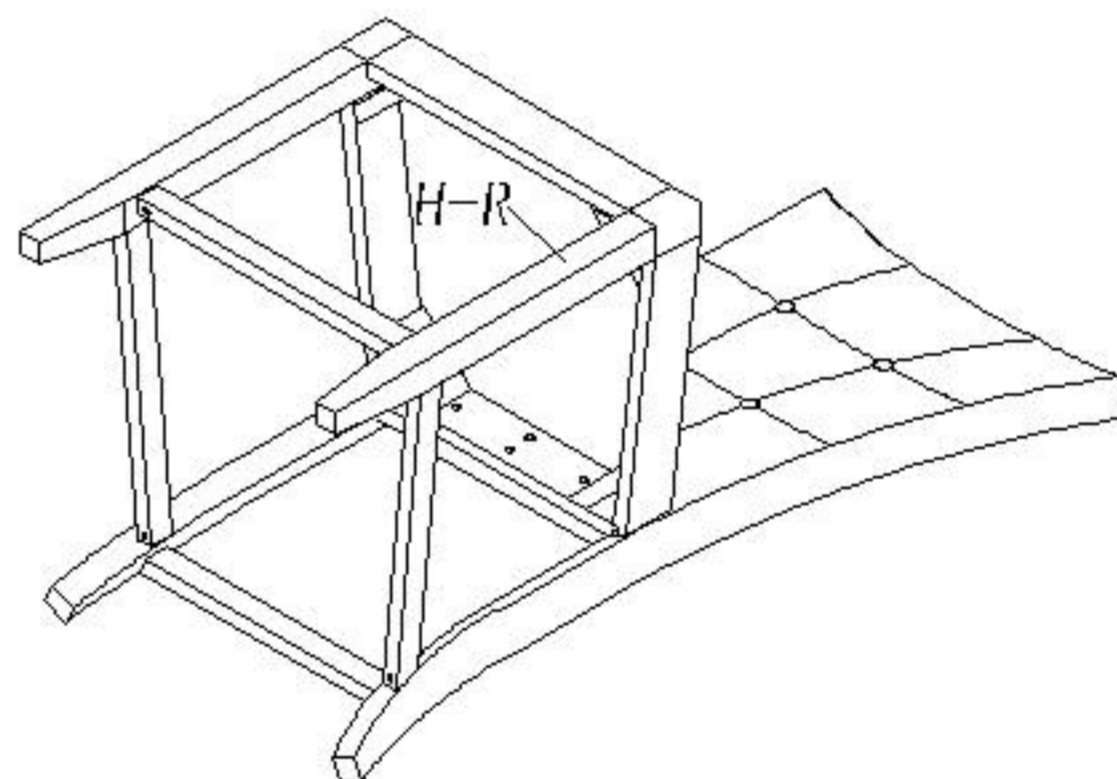
STEP 3. PUT DOWN THE CHAIR, INSERT THE LEFT AND RIGHT STRETCHERS INSIDE THE HOLES OF CHAIR BACK LEGS RESPECTIVELY WITH ONE END SIDE.



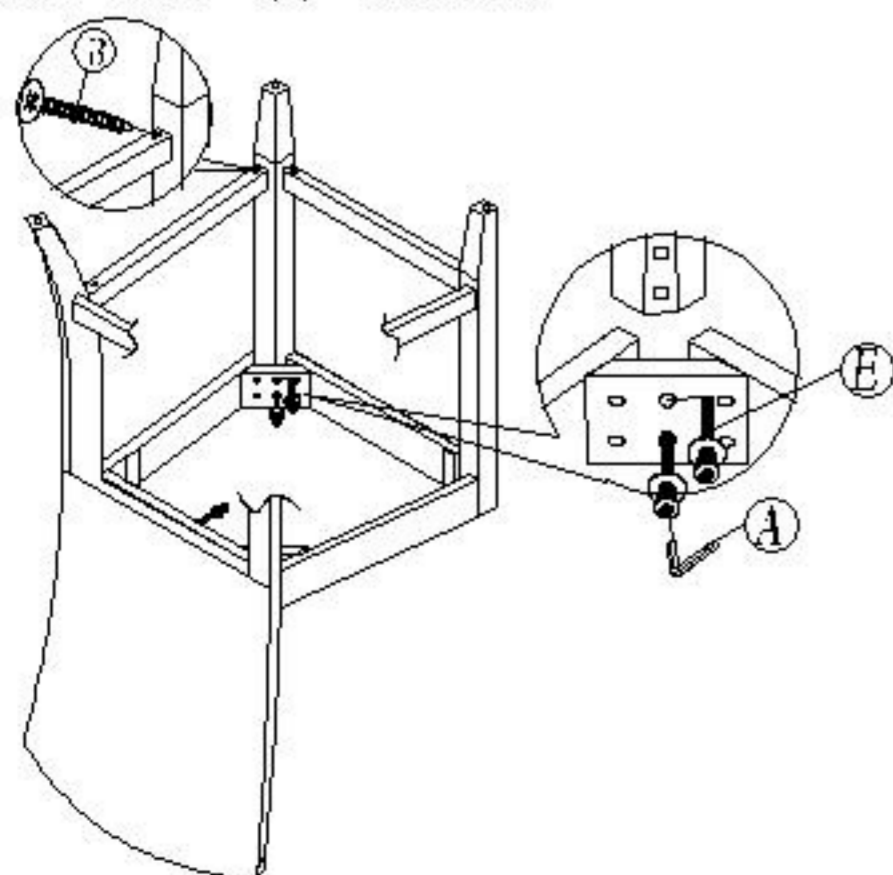
STEP4: PUT ONE OF FRONT LEG (H-L) INSIDE THE HOLE OF SEAT FRAME, THEN, INSERT THE FRONT STRETCHER (I), LEFT STRETCH (WITH THE OTHER END SIDE) INSIDE THE HOLE OF FRONT LEFT LEG (H-L).



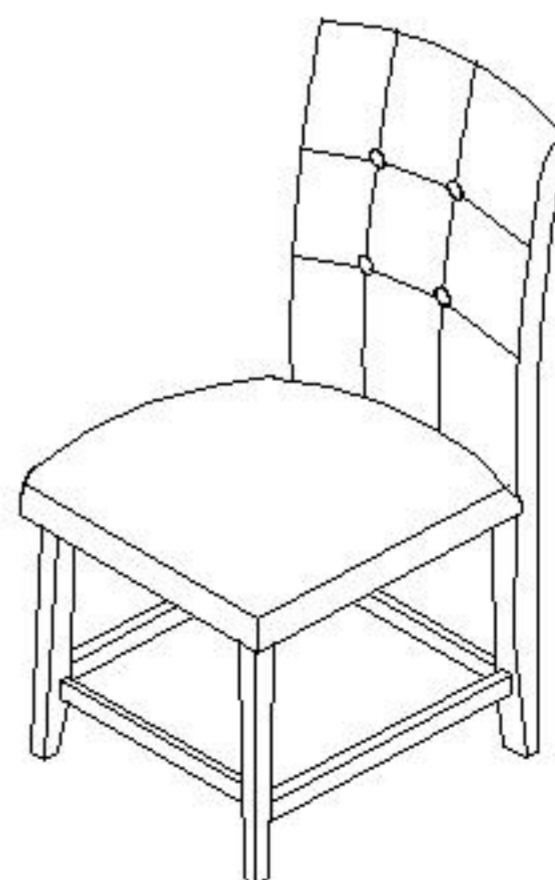
STEP5: PUT THE OTHER FRONT LEG (H-R) INSIDE THE HOLE OF SEAT FRAME. THEN, INSERT THE RIGHT STRETCHER (WITH THE OTHER END SIDE) INSIDE THE HOLE OF FRONT RIGHT LEG (H-R).



STEP6: SCREW TWO OF FRONT LEGS (H) INSIDE SEAT FRAME BY A/E TIGHTLY. THEN, SCREW ALL THE OTHER END SIDES OF LEFT, RIGHT, FRONT STRETCHERS INSIDE THE HOLES OF LEGS BY SCREW (B) TIGHTLY.



STEP7: PUT THE CHAIR UP.



| NO | DESCRIPTION | QTY |
|-----|-------------------------------|------|
| A | ALLEN WRENCH $\frac{5}{16}$ " | 1PC |
| B | SCREW 1-1/2" | 5PCS |
| C | BOLT $\frac{5}{16}$ "*2" | 3PCS |
| D | BOLT $\frac{5}{16}$ "*3-1/2" | 4PCS |
| E | BOLT $\frac{5}{16}$ "*1/4" | 4PCS |
| F | WOOD DOWEL-10*10mm | 1PC |
| G | CHAIR BACK | 1PC |
| H-L | FRONT LEFT LEG | 1PC |
| H-R | FRONT RIGHT LEG | 1PC |
| I | FRONT STRETCHER | 1PC |
| J | LEFT STRETCHER | 1PC |
| K | RIGHT STRETCHER | 1PC |
| L | SEAT FRAME | 1PC |