



MODUS
FUTNITURE
INTERNATIONAL

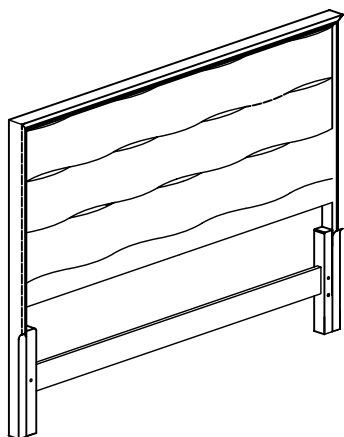
ASSEMBLY INSTRUCTION

Maui Wave Panel CK/EK Bed

HEADBOARD BOX

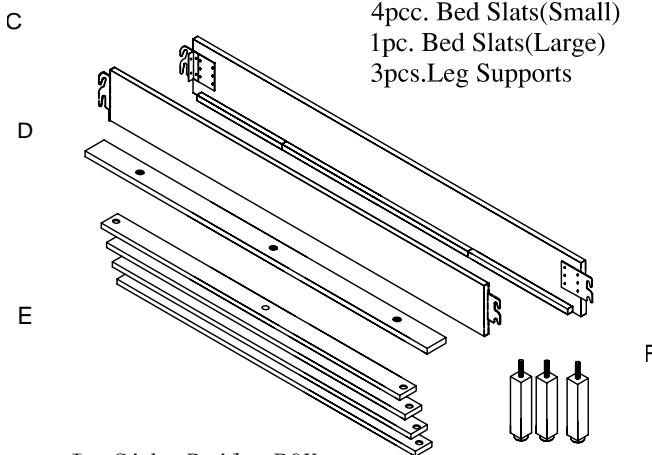
A

1PC . Headboard



SIDE RAILS BOX

2pcs. Side Rails
4pc. Bed Slats(Small)
1pc. Bed Slats(Large)
3pcs. Leg Supports

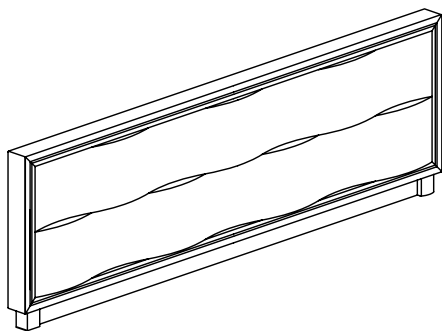


In Side Rails BOX

FOOTBOARD BOX

1PC . Footboard

B



G 12pcs. Wood screws Ø8*1"



H 8pcs. Machine screws Ø5/16"



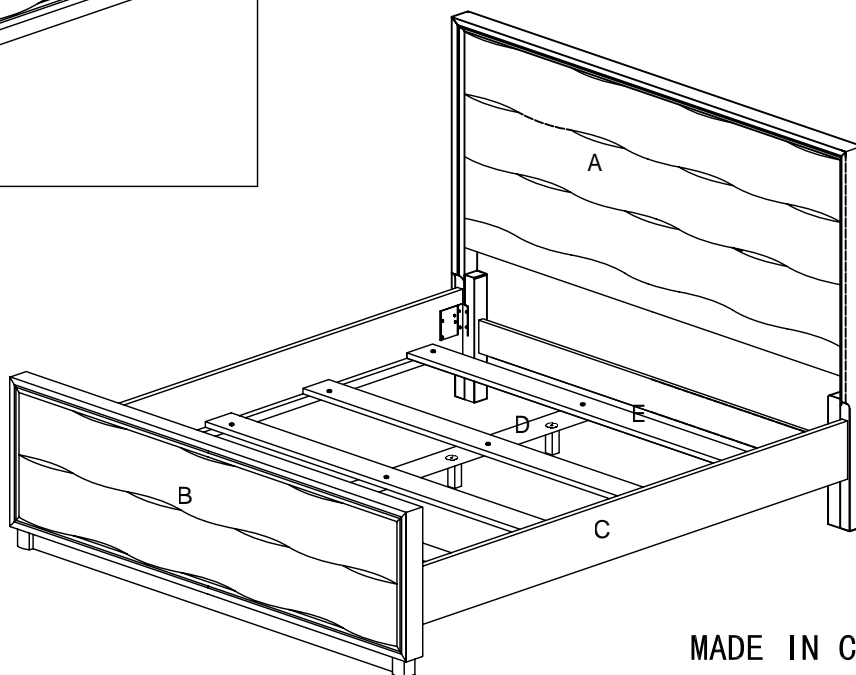
I 8pcs. Flat washer Ø5/16"



K 1pc. Wrench Ø5/16"



J 8pcs. Spring washer Ø5/16"



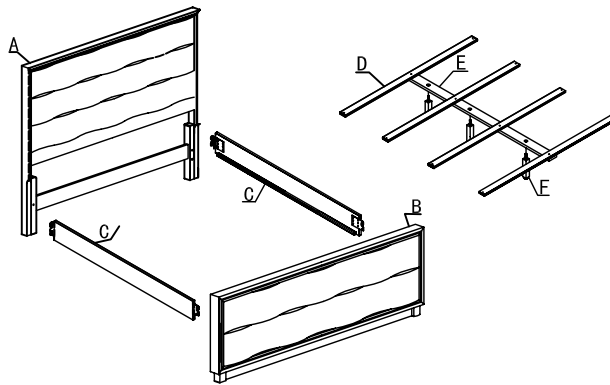
MADE IN CHINA



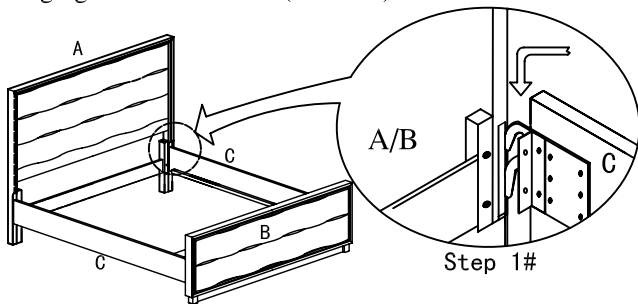
MODUS
FUTNITURE
INTERNATIONAL

ASSEMBLY INSTRUCTION

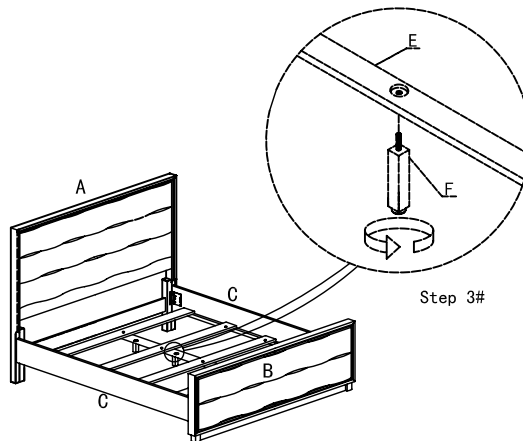
Maui Wave Panel CK/EK Bed



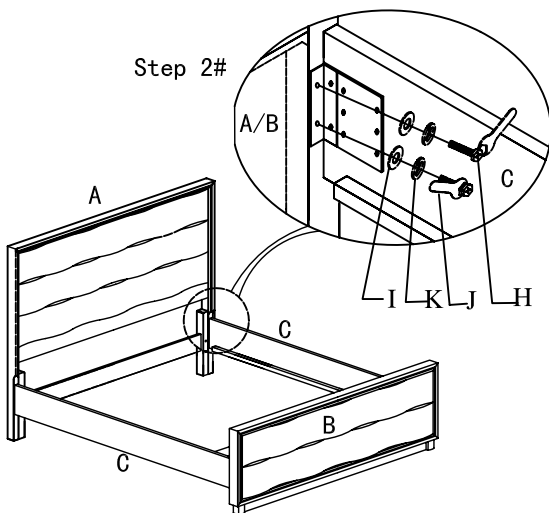
Step 1#
Attach each side rail to headboard and footboard by hanging the hook bracket (installed).



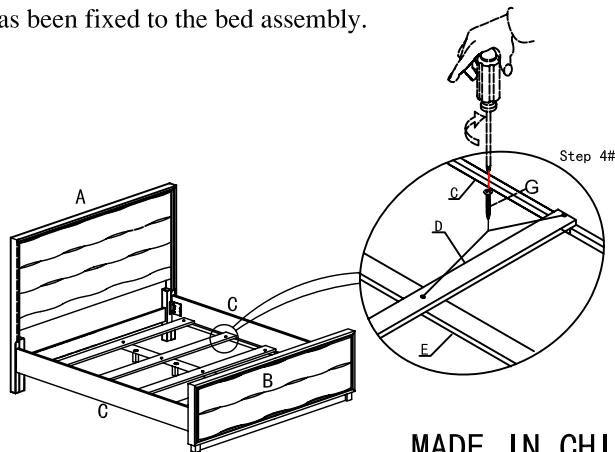
Step 3#
Attach a leg support to hole of large bed slat .



Step 2#
Then fix each bracket using machine screws .
Repeat with footboard .



Step 4#
Place four small bed slats onto the large bed side rails and large bed slats assembly and fix using wood screws . Make sure each corner of bed slat has been fixed to the bed assembly.



MADE IN CHINA

由 Autodesk 教育版产品制作

由 Autodesk 教育版产品制作