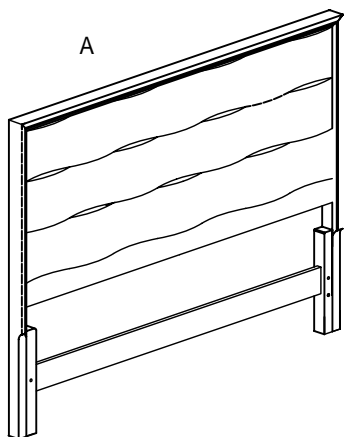


ASSEMBLY INSTRUCTION

Maui Wave Panel Full/Queen Bed

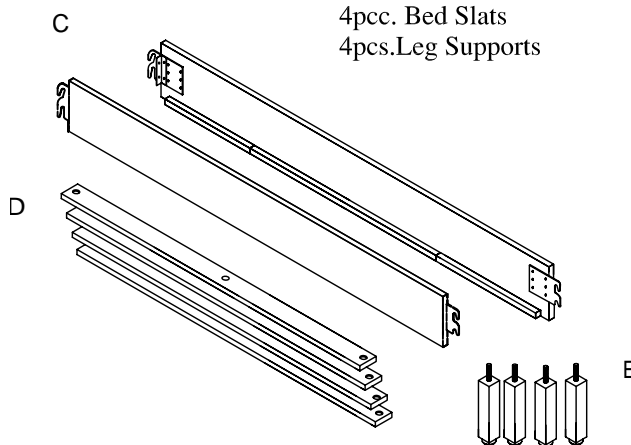
HEADBOARD BOX

1PC . Headboard



SIDE RAILS BOX

2pcs. Side Rails
4pc. Bed Slats
4pcs. Leg Supports

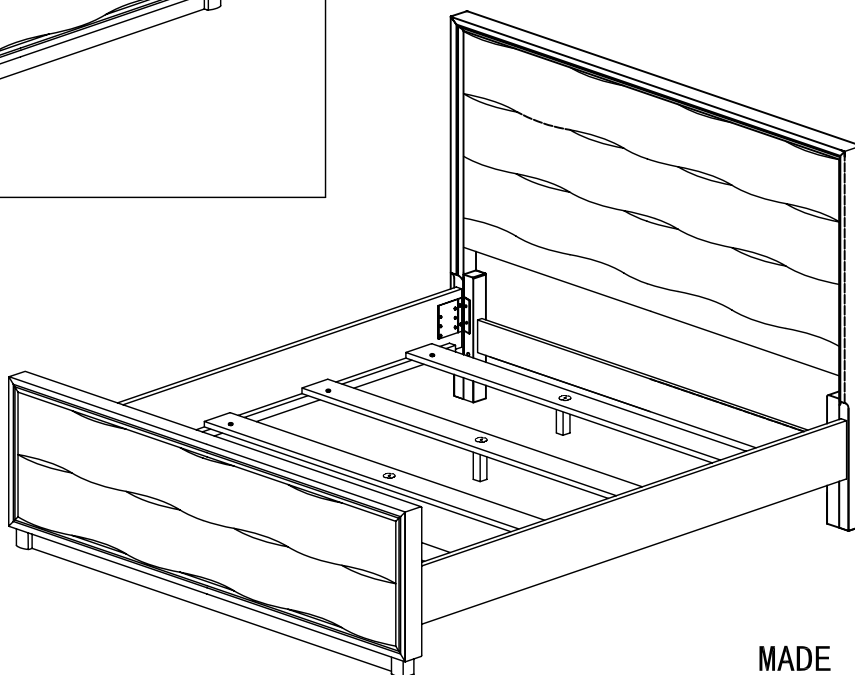
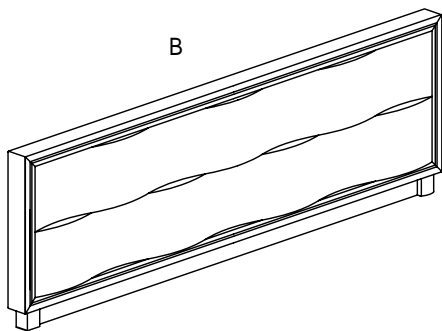


In Side Rails BOX

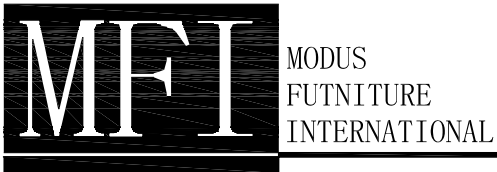
- | | | |
|---|---|--|
| G | 12pcs. Wood screws $\text{Ø}8 \times 1''$ | |
| H | 8pcs. Machine screws $\text{Ø}5/16''$ | |
| I | 8pcs. Flat washer $\text{Ø}5/16''$ | |
| J | 1pc. Wrench $\text{Ø}5/16''$ | |
| K | 8pcs. Spring washer $\text{Ø}5/16''$ | |

FOOTBOARD BOX

1PC . Footboard

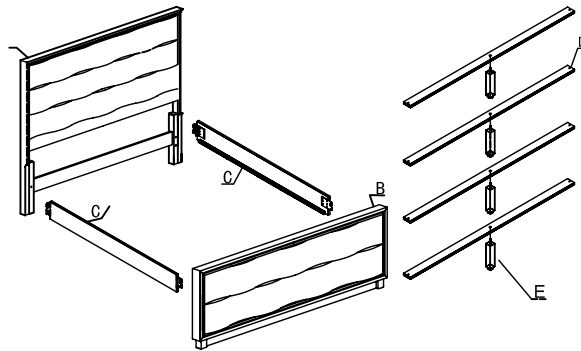


MADE IN CHINA

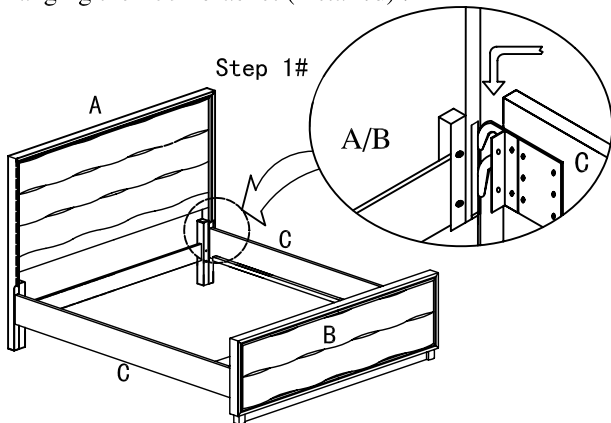


ASSEMBLY INSTRUCTION

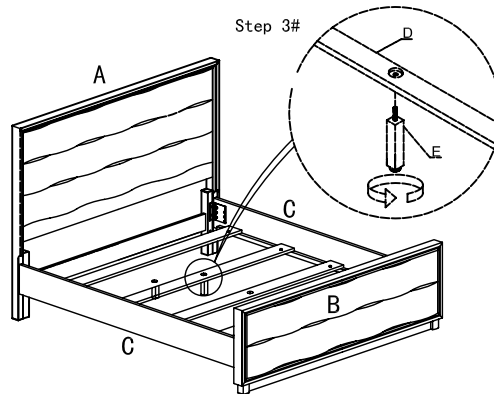
Maui Wave Panel Full/Queen Bed



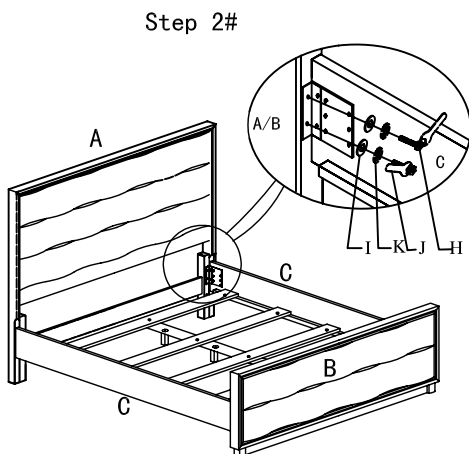
Step 1#
Attach each side rail to headboard and footboard by hanging the hook bracket (installed) .



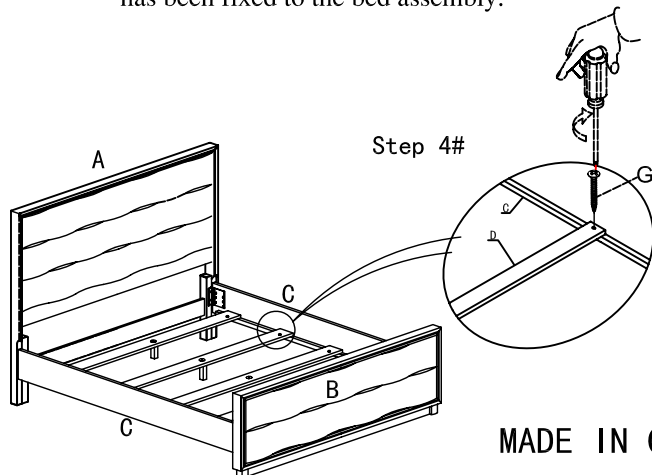
Step 3#
Attach a leg support to hole of large bed slat .



Step 2#
Then fix each bracket using machine screws .
Repeat with footboard .



Step 4#
Place four small bed slats onto the large bed side rails and large bed slats assembly and fix using wood screws . Make sure each corner of bed slat has been fixed to the bed assembly.



MADE IN CHINA