

LEGEND WOOD PLATFORM BED

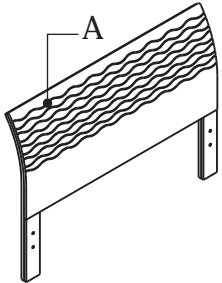
C-KING

ASSEMBLY INSTRUCTIONS

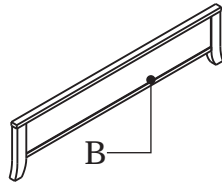


PARTS AND FITTINGS PACKING DETAIL

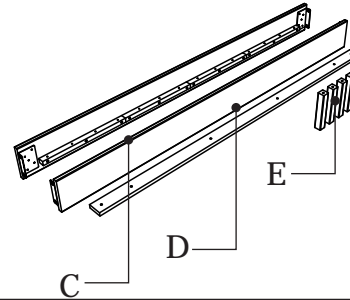
BOX #1
A. HEADBOARD 1 PC



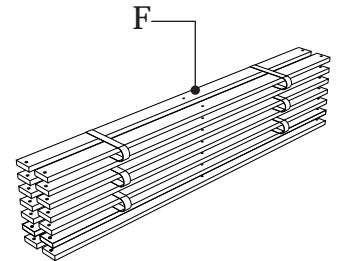
BOX #2
B. FOOTBOARD 1 PC



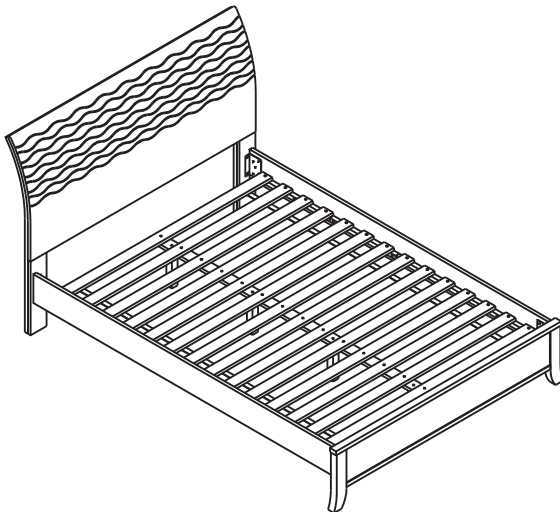
BOX #3
C. SIDERAILS 2 PCS
D. CENTER SLAT 1 PC
E. CENTER LEGS 4 PCS
HARDWARE BOX



BOX #4
F. BED SLATS 14 PCS



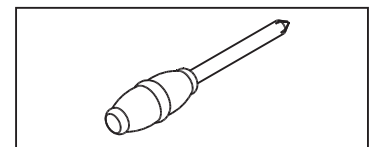
LEGEND WOOD PLATFORM BED ASSEMBLED



HARDWARE PACKED IN BOX #3

| | | | | | | | | |
|---|-------------------------|--------|---|-------------|-------|---|------------------|--------|
| 1 | PHILLIPS HEAD BOLT 20MM | 8 PCS | 2 | WASHER 8 MM | 8 PCS | 3 | ALLEN BOLT 40 MM | 10 PCS |
| | | | | | | | | |
| 4 | WOOD SCREW 8x30MM | 12 PCS | 5 | ALLEN KEY | 1 PC | | | |
| | | | | | | | | |

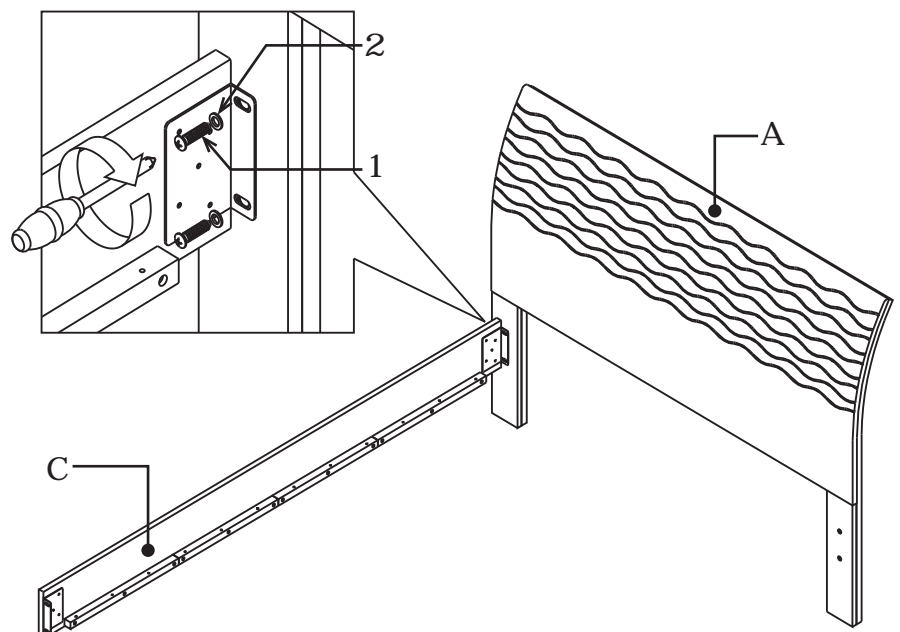
TOOLS REQUIRED :
PHILLIPS HEAD SCREWDRIVER
(NOT PROVIDED)



STEP 1 :

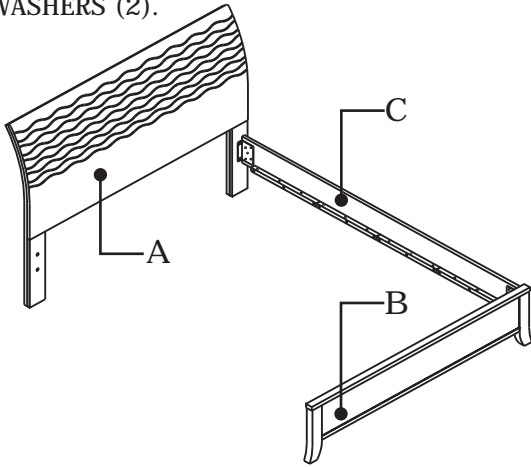
FIX ONE OF THE SIDERAILS (C) TO THE HEADBOARD (A) USING PHILLIPS HEAD BOLTS (1) AND WASHERS (2).

DO NOT TIGHTEN BOLTS COMPLETELY UNTIL ASSEMBLY IS COMPLETED.



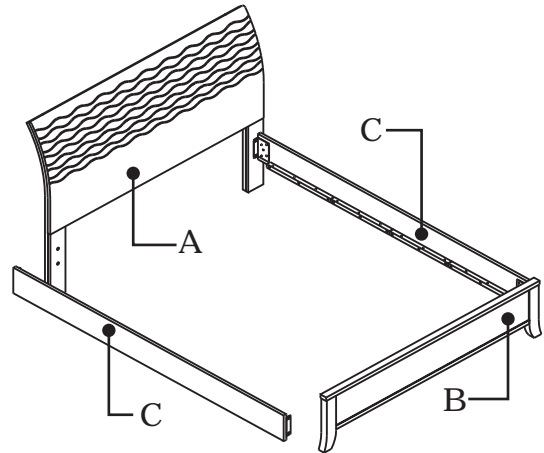
STEP 2 :

FIX THE OTHER END OF THE SIDERAILS (C) TO THE FOOTBOARD (B) USING PHILLIPS HEAD BOLTS (1) AND WASHERS (2).



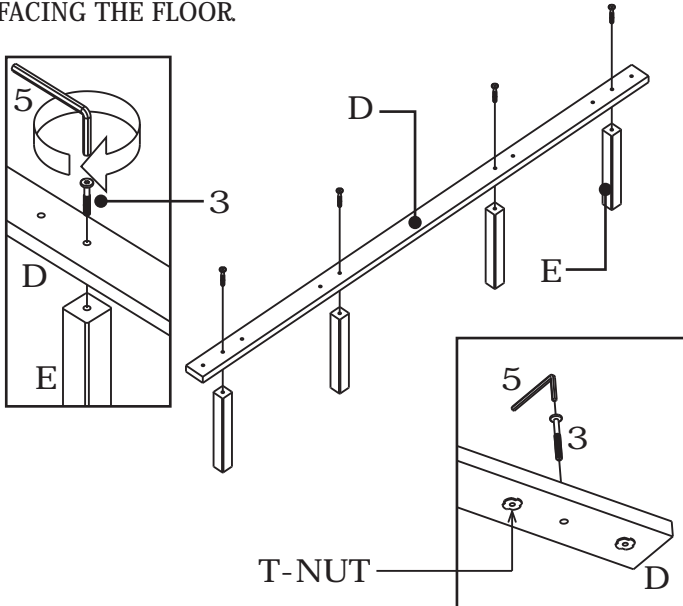
STEP 3 :

FIX THE OTHER SIDERAILS (C) TO THE HEADBOARD (A) AND FOOTBOARD (B).



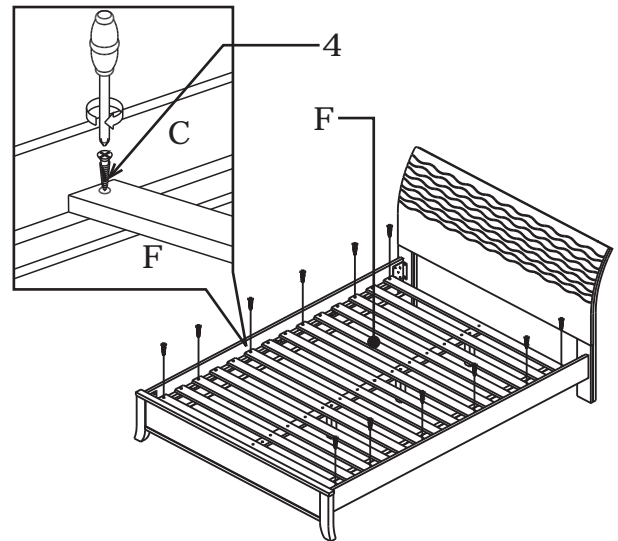
STEP 4 :

FIX CENTER LEGS (E) TO CENTER SLAT (D) USING ALLEN BOLTS (3). SLIDE ALLEN BOLTS (3) INTO PREDRILLED HOLES THAT DON'T HAVE A T-NUT IN IT ON THE CENTER SLAT (D). MAKE SURE THE T-NUT IS FACING THE FLOOR.



STEP 5 :

FOLLOW THE ILLUSTRATION TO SPREAD OUT ALL THE BED SLATS (F) ON THE BED FRAME, AND FIX THE BED SLATS (F) USING WOOD SCREWS (4). USE THE PILOT HOLES ON THE SIDERAILS (C) AS YOUR REFERENCE, FOR EASY ASSEMBLY. YOU MAY NEED TO ADJUST THE SIDERAILS (C) POSITION TO LINE UP THE HOLES.



STEP 6 :

SLIDE IN THE CENTER SLAT (D) UNDER THE BED SLATS (F). USE THE 1ST, 2ND, 5TH, 10TH, 13TH AND 14TH PRE-DRILLED HOLES ON BED SLATS (F) FROM HEADBOARD(A)/FOOTBOARD(B) SIDE. FIX THE CENTER SLAT (D) TO THE BED SLATS (F) BY SLIDING IN THE ALLEN BOLTS (3) THROUGH THE HOLES FROM THE TOP OF BED SLATS (F) TO THE CENTER SLAT (D).

TIGHTEN ALL BOLTS AND SCREWS BEFORE USAGE.

