

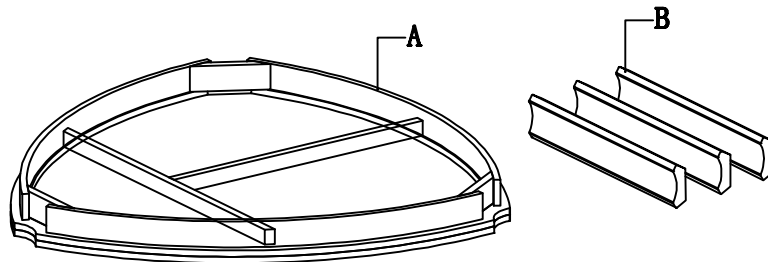
LEGEND WOOD TABLE ASSEMBLY INSTRUCTIONS



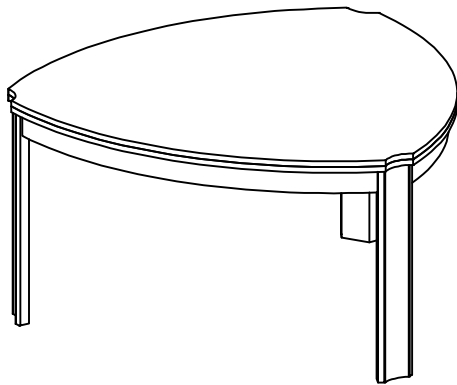
PARTS AND FITTINGS PACKING DETAIL

BOX

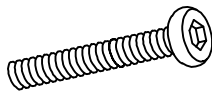



- A. TABLE TOP 1PC
- B. TABLE LEG 3PCS



LEGEND WOOD TABLE ASSEMBLY



HARDWARE PACKED IN BOX

1	BOLT ø5/16" * 2"	6 PCS	2	SPRING WASHER ø8*13	6 PCS
					
					

STEP1:

Place table top(A) upside down on a soft surface. Attach legs(B) to table as shown in diagram.

Attach legs to table using bolts(1), springs(2), and flats(3) with Allen key(4) as shown in diagram.

Do not tighten bolts completely until assembly is completed.

