

PERIMETER BED PLATFORM

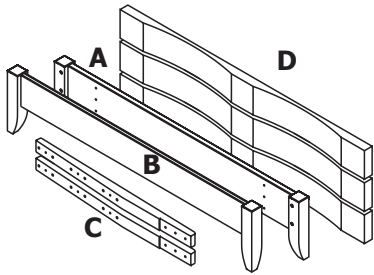
E KING/C KING SIZE ASSEMBLY INSTRUCTIONS



PARTS AND FITTING PACKAGING DETAIL

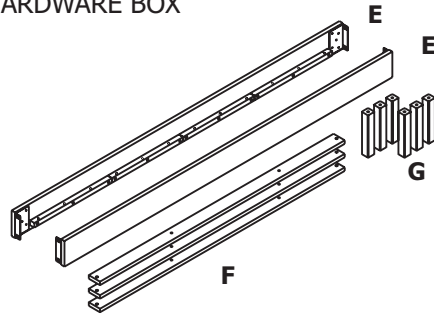
BOX #1

- A. HEADBOARD 1 PC
- B. FOOTBOARD 1 PC
- C. HB REST SUPPORT 2 PCS
- D. HB REST 3 PCS
- HARDWARE BOX



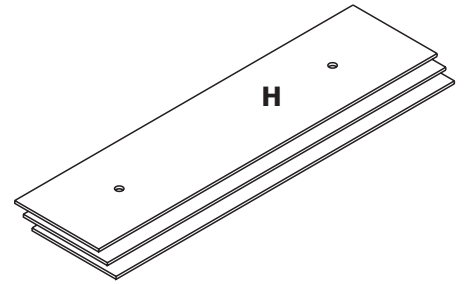
BOX #2

- E. SIDERAILS 2 PCS
- F. SLATS 3 PCS
- G. LEG SUPPORT 6 PCS
- HARDWARE BOX

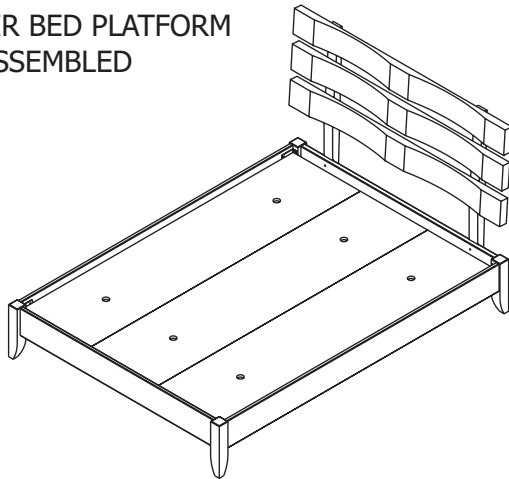


BOX #3

- H. BUNKY BOARDS 3 PCS

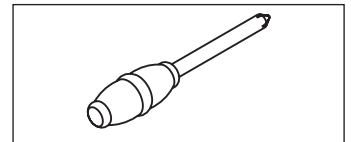


PERIMETER BED PLATFORM ASSEMBLED



TOOL REQUIRED :

PHILLIPS HEAD SCREW
DRIVER (NOT PROVIDED)



HARDWARE PACKED IN BOX #1

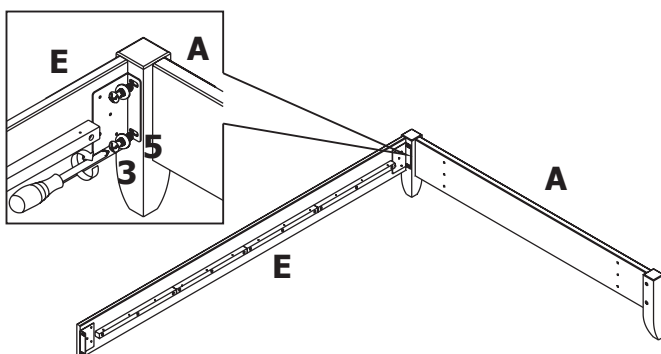
1	ALLEN BOLT 60MM	12 PCS	2	ALLEN KEY	1 PC

HARDWARE PACKED IN BOX #2

3	PHILLIPS HEAD BOLT 20MM	8 PCS	4	WOOD SCREW Ø8X30MM	6 PCS	5	WASHER 8MM	8 PCS	6	ALLEN BOLT 40MM	6 PCS	7	ALLEN KEY	1 PC

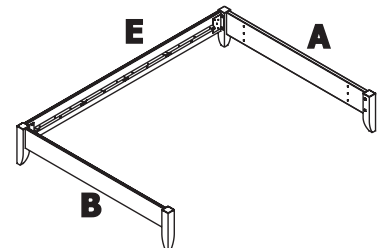
STEP 1 :

FIX ONE OF THE SIDERAILS (E) TO THE HEADBOARD (A) USING PHILLIPS HEAD BOLTS (3) AND WASHERS (5). DO NOT TIGHTEN BOLTS COMPLETELY UNTIL ASSEMBLY IS COMPLETED



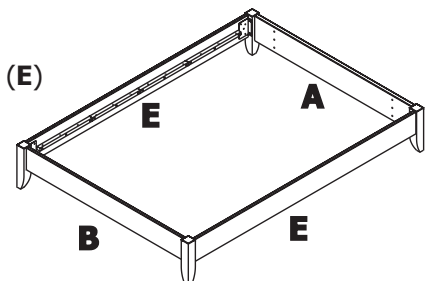
STEP 2 :

FIX THE OTHER END OF THE SIDERAIL (E) TO THE FOOTBOARD (B).



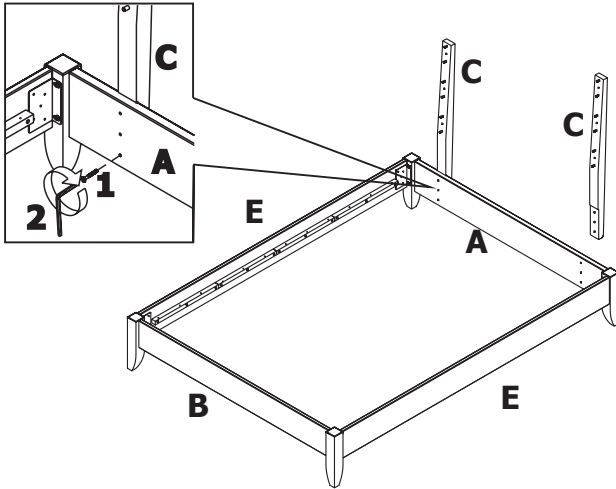
STEP 3 :

FIX THE OTHER SIDERAIL (E) TO THE HEADBOARD (A) AND FOOTBOARD (B).

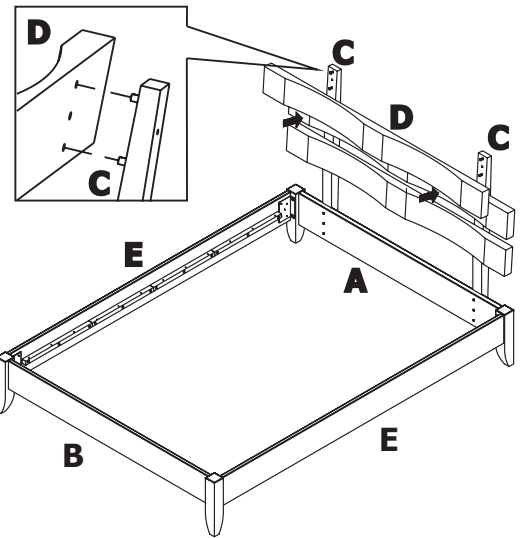


STEP 4 :

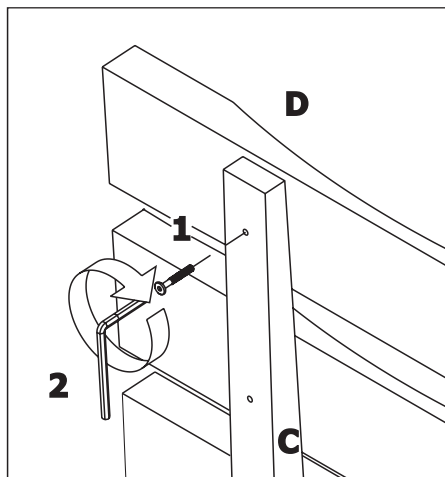
FOLLOW THE ILLUSTRATION TO ATTACH HB REST SUPPORT (C) TO HEADBOARD (A) USING ALLEN BOLTS 60 MM (1) FROM INNER SIDE. USING ALLEN KEY (2) TO TIGHTEN THE BOLTS.

**STEP 5 :**

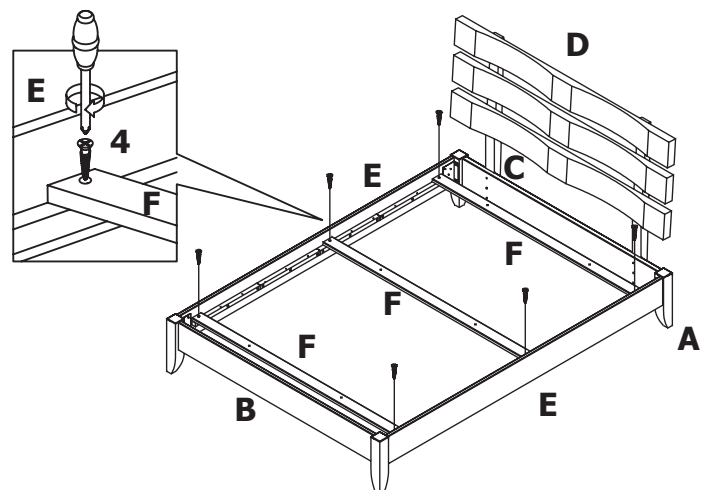
FOLLOW THE ILLUSTRATION TO ATTACH HB REST (D) TO HB REST SUPPORT (C) REFER TO THE DOWELS IS ALREADY ASSEMBLED.

**STEP 6 :**

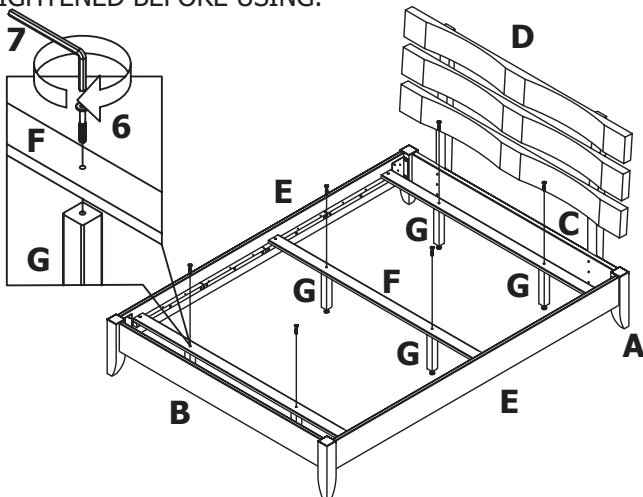
FIX THE CONNECTING BETWEEN HB REST SUPPORT (C) & HB REST (D) USING ALLEN BOLTS 60 MM (1) FROM BACK SIDE, USE ALLEN KEY (2) TO TIGHTEN THE BOLTS.

**STEP 7 :**

FOLLOW THE ILLUSTRATION TO PLACE THREE BED SLATS (F) ON THE BED FRAME AND SECURE THE BED SLATS (F) USING WOOD SCREWS (4). USE THE PILOT HOLES ON THE SIDERAILS (E) AS YOUR REFERENCE FOR EASY ASSEMBLY.

**STEP 8 :**

FOLLOW THE ILLUSTRATION TO FIX THE LEG SUPPORT (G) TO BED SLATS (F) USING ALLEN BOLTS 40 MM (6). USE ALLEN KEY (7) TO TIGHTEN THE BOLTS. MAKE SURE ALL BOLTS AND SCREWS ARE TIGHTENED BEFORE USING.

**STEP 9 :**

PLACE BUNKY BOARDS (H) ON THE BED SLAT (F).

