

PERIMETER MIRROR

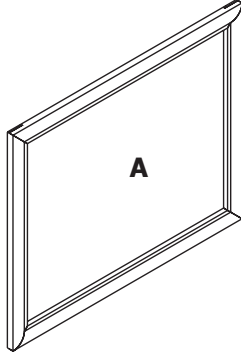
ASSEMBLY INSTRUCTIONS



PARTS AND FITTING PACKAGING DETAIL

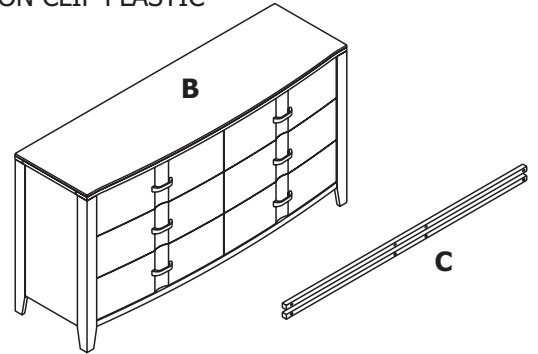
BOX MIRROR

A. MIRROR 1 PC

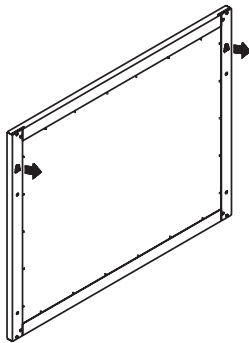


BOX DRESSER 6 DRAWER

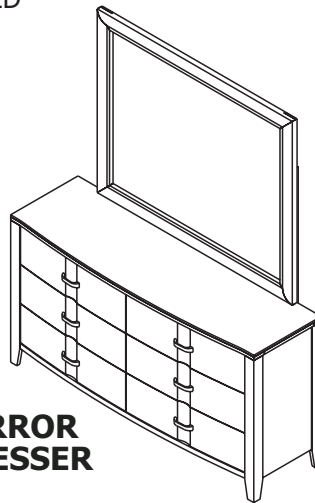
B. DRESSER 1 PC
C. SUPPORT MIRROR 2 PCS
HARDWARE ON CLIP PLASTIC



OPTION 1 FIXING MIRROR ON THE WALL



HANGING ON THE WALL
USING EYE LIDS WHICH
ALREADY INSTALLED



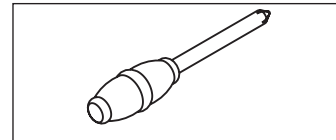
OPTION 2 FIXING MIRROR ON THE DRESSER

HARDWARE PACKED IN BOX DRESSER

1	ALLEN BOLT 40MM	8 PCS	2	ALLEN KEY	1 PC

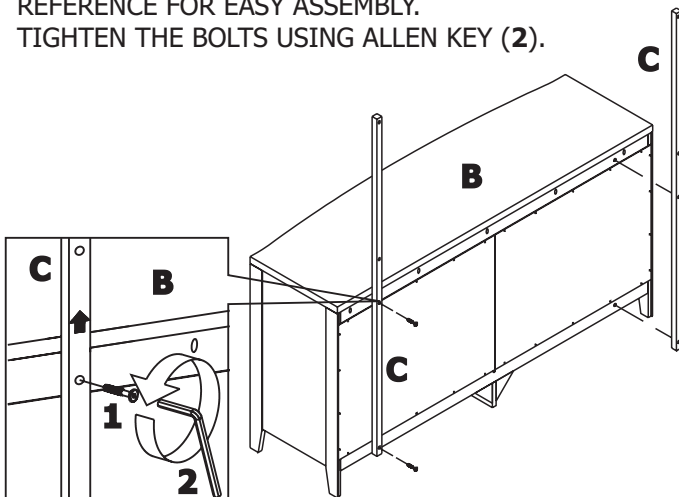
TOOL REQUIRED :

PHILLIPS HEAD SCREW
DRIVER (NOT PROVIDED)



STEP 1 :

FOLLOW THE ILLUSTRATION TO ATTACH
SUPPORT MIRROR (C) TO DRESSER (B) USING ALLEN
BOLTS (1) FROM BACK SIDE, USE PILOT BOLTS
AS REFERENCE FOR EASY ASSEMBLY.
TIGHTEN THE BOLTS USING ALLEN KEY (2).



STEP 2 :

MATCH THE ARROW MARK ON THE BACK SIDE OF
MIRROR (A) & DRESSER (B). USE PILOT BOLTS
AS REFERENCE TO CONNECT MIRROR (A) &
SUPPORT MIRROR (C) USING ALLEN BOLTS (1).
TIGHTEN THE BOLTS USING ALLEN KEY (2).

